

WINNERS ONLY[®] Assembly Instructions

PROD . NO: DC33878RT&B / DBA13878NT&B / DBA13878NET&B

Thank you for purchasing this quality product. Please read the instructions thoroughly before unpacking the assembly parts.



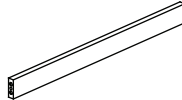


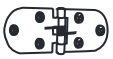





Caution: Sharp exposed staple tips can cause injury, therefore for your protection, please remove any exposed staples used in packing.

Please keep all hardware parts out of the reach of children.








1. We recommend that you should assemble this product with the assistance of another person: this will make the assembly easier, and will help to prevent personal injury and to insure parts are not damaged during the assembly process.
2. Before beginning, please check the packing materials carefully for small parts which may have come loose inside the carton during shipping. Please do not discard any packing material until all parts have been located. If any parts are missing, please contact your dealer for prompt replacement.
3. To prevent damage to your floor or carpet, please check the bottom of each piece of furniture for stain residues and rough surfaces and also check for staples or nails left after removing the packing materials. The manufacturer will not be held responsible if preventive steps are not taken prior to installation.
4. Please do not over tighten screws or bolts. During normal use everyday, screws, bolts, nuts and wooden plugs may loosen up. They should be periodically inspected and re-tightened to prevent damage to the furniture and (or) personal property of cause injury. Always check to be sure all hardware on this list and the below mentioned components are attached to the furniture properly and kept tightened.
5. Please lay all parts and hardware on a non abrasive surface such as a carpet, and follow the assembly.

This product will take 15-20 minutes to assemble.

COMPONENT LIST:

NO	DESCRIPTION	SKETCH	QTY
A	Hardware Bag		1 pack
B	Table Top		1 pce
C	Stretcher		1 pce
D	Trestle		2 pcs
E	End Caps		2 pcs
F	Apron Hinge		4 pcs
G	Leaf Hinge		3 pcs
H	Clamp Lock (Metal Catch)		4 pcs
I	Support Leaf Hinge		2 pcs
J	Leaf Apron		2 pcs
K	Mounting Plate		2 pcs

HARDWARE LIST:

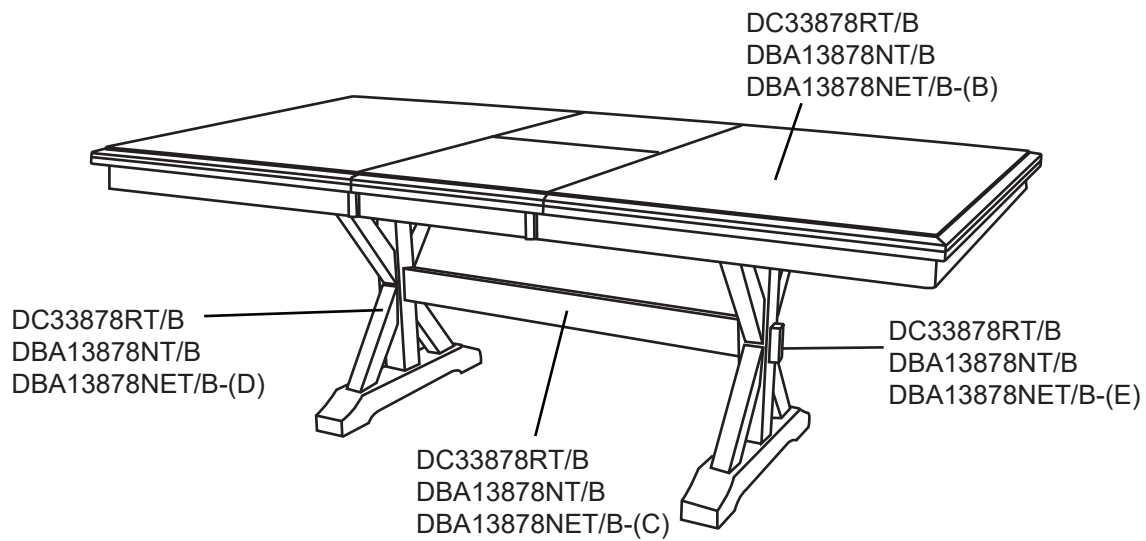
NO	DESCRIPTION	SIZE	SKETCH	QTY
1	Hex Nut	5/16"		4 pcs
2	Lock Washer	5/16"		8 pcs
3	Large Flat Washer	M5/16" x 22 x 1.2 mm		4 pcs
4	JCBB Bolt	M8 x 80mm		4 pcs
5	Wrench	12.8 mm		1 pce
6	Allen Key	M5 x 27 x 65mm		1 pce
7	Small Flat Washer	M8.5 x 18 x 1.2mm		4 pcs

Screw driver is require for assembly (not included)

TIP: store the Allen key and or Wrench used in assembly in this product's drawer or use masking or painter's tape to affix it to the underside of the product. this will make it easier to find if you want to periodically tighten bolts or disassemble the product.

WINNERS ONLY[®] Assembly Instructions

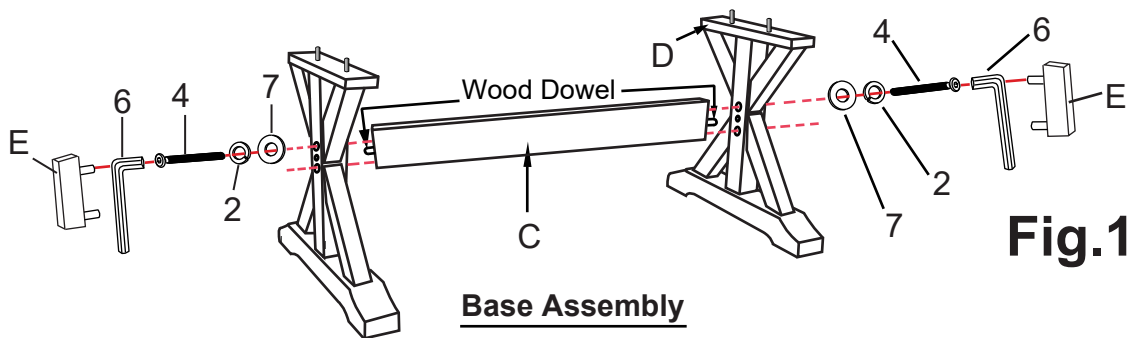
DC33878RT&B / DBA13878NT&B / DBA13878NET&B



ASSEMBLY :

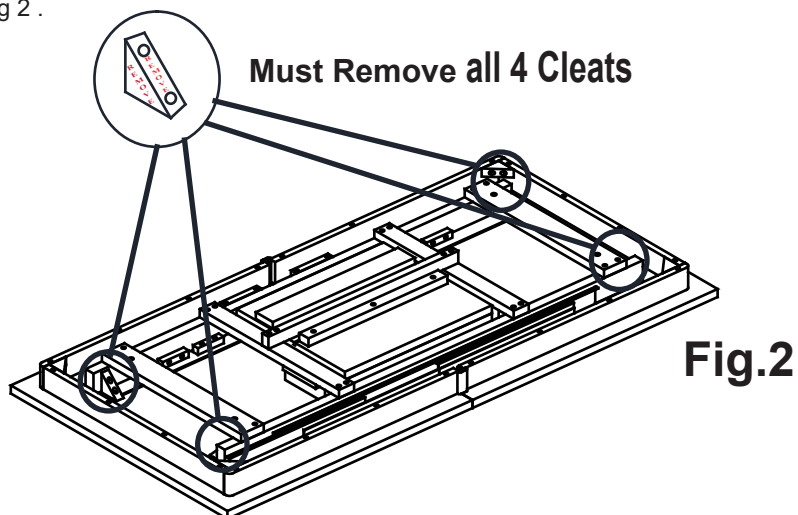
STEP 1

1.1- Step 1.1 Attach the Stretcher to the Trestle using the supply hardware as shown in Fig.1 Add End Caps as shown in Fig.1



STEP 2

2.1- Place the Table Top upside down on a soft Protective surface such as a carpet. Remove cleats as shown on Fig 2 .



WINNERS ONLY[®] Assembly Instructions

DC33878RT&B / DBA13878NT&B / DBA13878NET&B

STEP 3

3.1- Attached Table Top to the trestle by using the supply hardware as shown on Fig.3

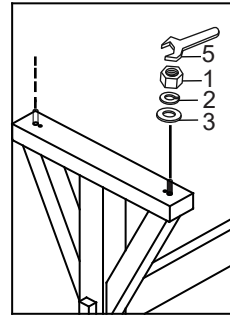
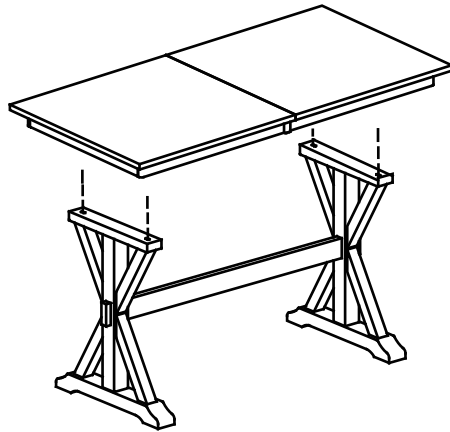


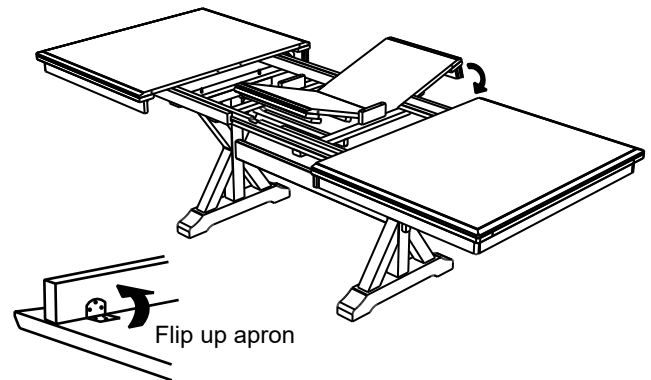
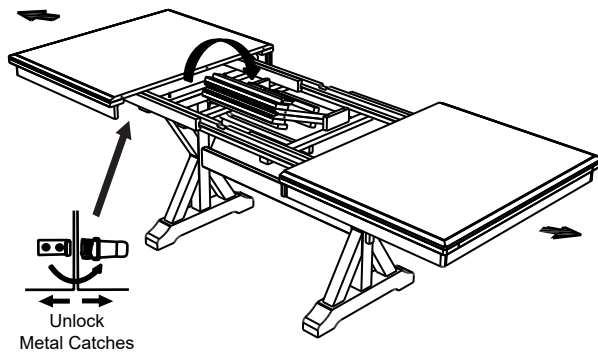
Fig.3

STEP 4

4.1-Unlock the hook lock from underneath the table top and pull the table from both ends.

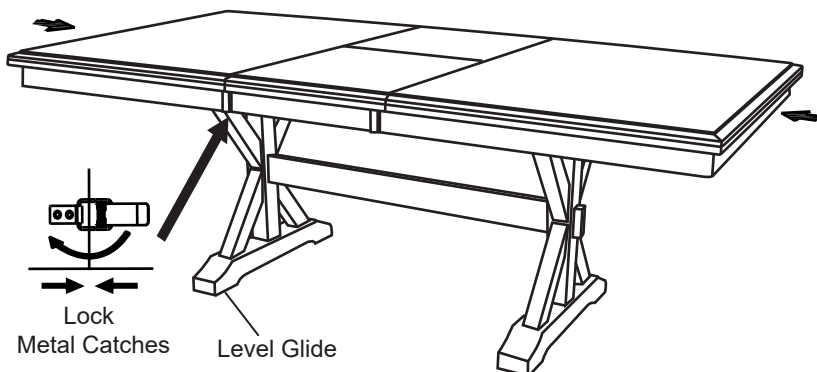
4.2-Lift both leaves from the compartment.

4.3-Flip up the aprons and unfold leaf and place the leaf on the Table Top surface carefully.



STEP 6

5.1-Push Table Top from both ends to close.Lock the hooks underneath the table.



Assembly is now Completed.

CARE INSTRUCTION

- ~ Be sure to use the same type of polish consistently. Your furniture will appear cloudy or streaky if oil based or wax based polishes are interchanged.
- ~ Spray your furniture surface evenly. Wipe in a circular motion with a soft clean cloth.