

**IMPORTANT NOTICE:**  
Storing and opening the leaf  
requires 2 people.

# WINNERS

## ONLY INC.

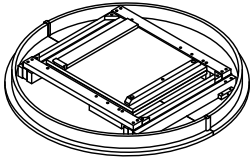

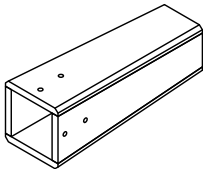
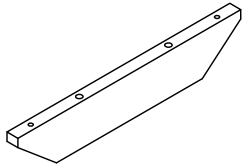
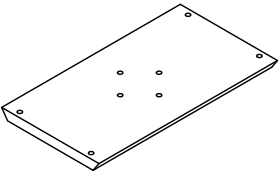
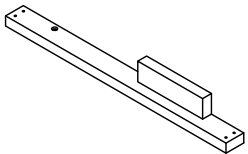
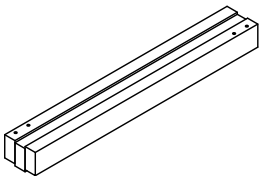
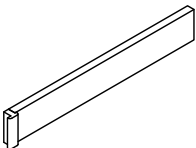
### ASSEMBLY INSTRUCTIONS

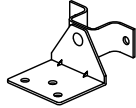
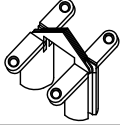
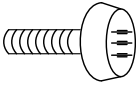
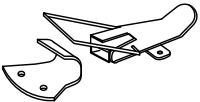
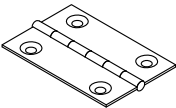
**ITEM NO : DFB14260T & DFB14260B**

Thank you for purchasing this quality product. Be sure to check all packaging materials carefully for small parts that may have come loose inside the carton during shipment.





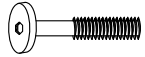



**Reminders**

1. Use only the hardware supplied.
2. Do not over-tighten bolts.
3. This item may require periodic tightening.

COMPONENTS LIST			QTY
A	Table Top		1pc
B	Table Legs		4pcs
C	Post		1pc
D	Side Mounting Plate		2pcs
E	Mounting Plate		1pc
F	Support Bar (Left- Right)		2pcs
G	Glides		2pcs
H	Apron Leaf		2pcs

COMPONENTS LIST			QTY
I	Support Leaf Hinge		2pcs
J	Leaf Hinge		2pcs
K	Adjustable Leveler		4pcs
L	Clamp Lock		4pcs
M	Apron Hinge		4pcs

**Hardware List :**

NO	DESCRIPTION	SIZE	FIGURE	QTY
1	Flat Washer	Ø5/16"x 19mm		16pcs
2	Spring Washer	Ø5/16"x 12mm		20pcs
3	Hex- Nut	Ø5/16"x 12mm		12pcs
4	Wrench	Ø5/16"x 12mm		1pc
5	Short Bolt	Ø1/4"x 75mm		4pcs
6	Small Flat Washer	Ø1/4"x 12mm		4pcs
7	Allen Key	58x 23x 4mm		1pc
8	Long Bolt	Ø1/4"x 105mm		4pcs

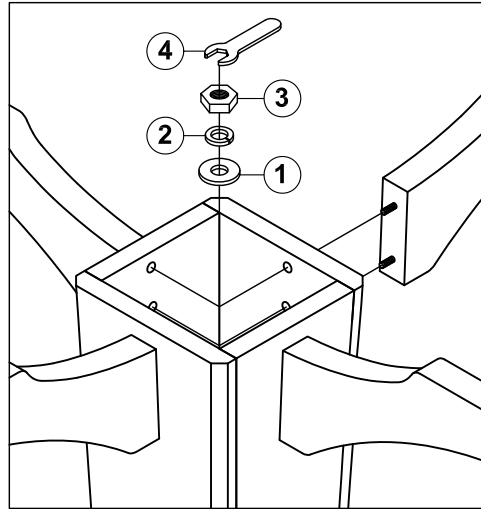
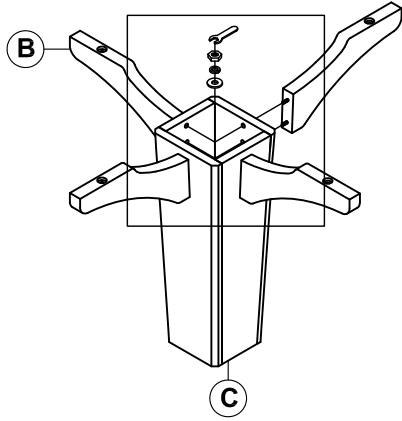
**IMPORTANT NOTE:**

- Please keep all hardware parts out of the reach of children.
- Two or more people are needed for assembly.

# WINNERS ONLY INC. ASSEMBLY INSTRUCTIONS

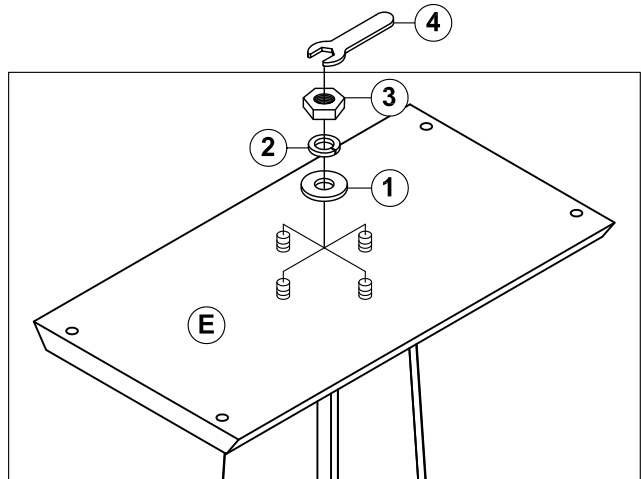
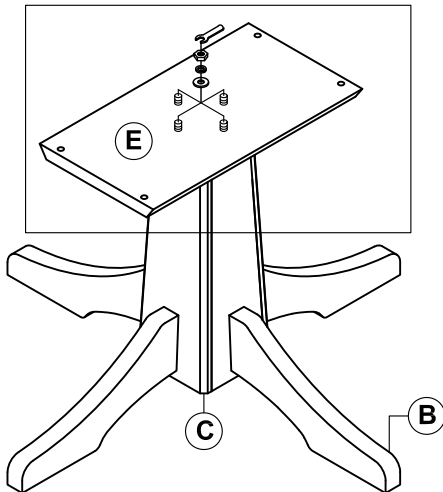
## STEP 1:

Attach Table Leg (B) to the Post (C), using flat washers (1), spring washers (2), hex- nut (3) tighten with wrench (4).



## STEP 2:

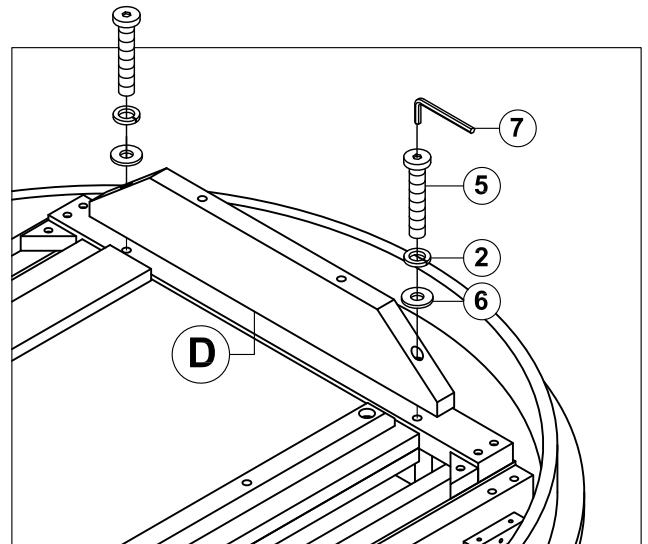
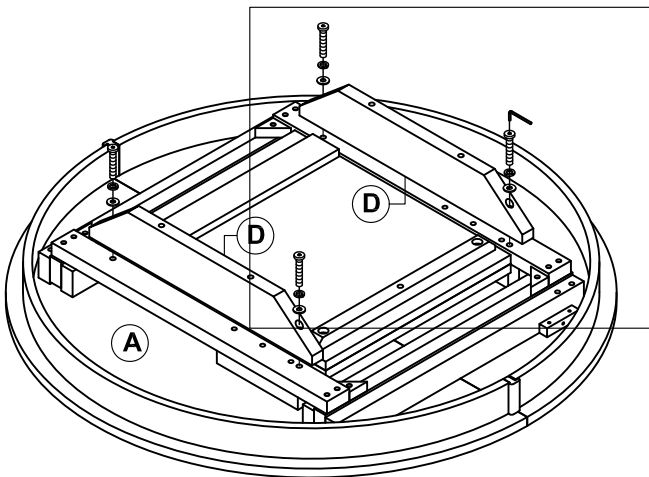
Attach Mounting Plate (E) to the Post (C), using flat washers (1), spring washers (2), hex- nut (3) tighten with wrench (4).



## STEP 3:

Place table top (A) upside down on a smooth and flat surface.

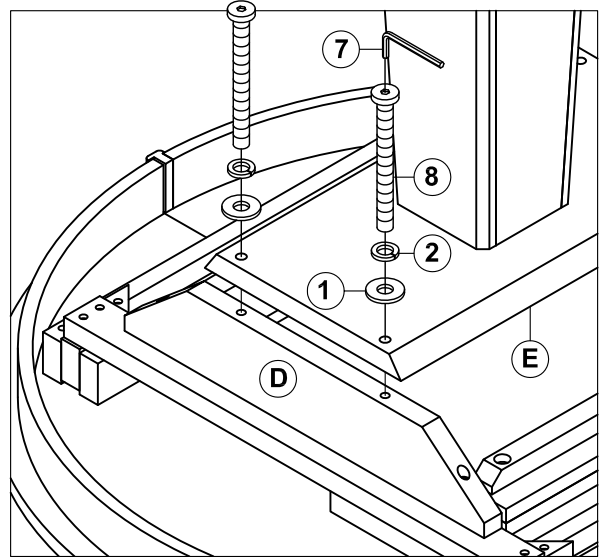
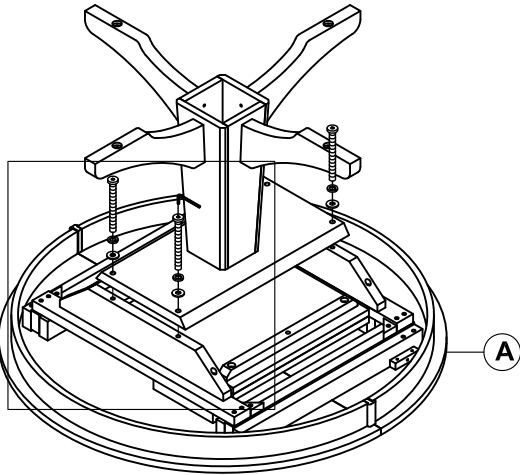
Attach Trestle Bar (D) to the Table Top (A), using small flat washers (6), spring washers (2), short bolt (5) tighten with allen key (7).



# WINNERS ONLY INC. ASSEMBLY INSTRUCTIONS

## STEP 4:

Attach Mounting Plate (E) to the Trestle Bar (D), using flat washers (1), spring washers (2), long bolt (8) tighten with allen key (7).



## STEP 5:

- Turn the table to the upright position.
- Pull the Table Top (A) from both ends and open the butterfly leaf which is stored underneath the table top.
- Close the table top by pushing from both ends and clamp lock the latch underneath the table top to prevent from sliding.

