

# WINNERS ONLY®

## ASSEMBLY INSTRUCTION DFG1470B SIDEBOARD

**CAUTION :** Please read instruction thoroughly before unpacking assembly parts. Sharp, exposed staple tips can cause injury, therefore, for your protection, please remove any exposed staples used in packing.

1. We recommend that you should assemble this product with assistance of another person, this will make assembly easier, and will help to eliminate damage to the product or injury to persons during assembly.
2. Be sure to check all packing material carefully for small parts that may be come loose inside the carton during shipment.
3. Please do not over tighten screws or bolts.
4. Please put all the parts on a non-abrasive floor before assembly, and follow the assembly steps to assemble your newly purchased product correctly and efficiently.

### Reminders :






Use only hardware supplied.

This item may require periodic tightening.


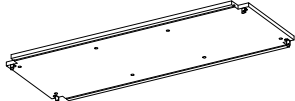
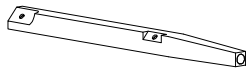
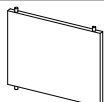

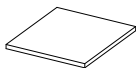
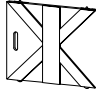
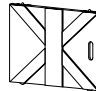
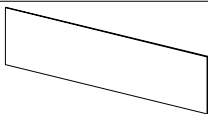
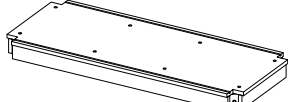
Important Note :

Please keep all hardware parts out of the reach of children.

### HARDWARE LIST

NO		DESCRIPTION	QTY
A		BOLT	8
B		WASHER	8
C		LOCK WASHER	8
D		WRENCH	1
E		WOODEN SCREW	4

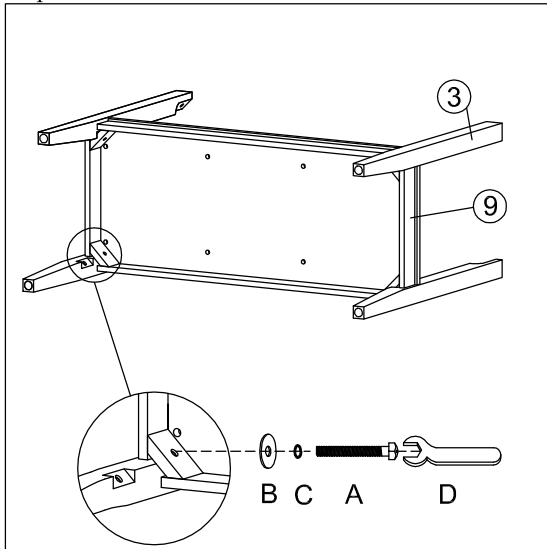
### PART LIST

NO			QTY
1		SIDEBOARD TOP	1 PC
2		TOP PANEL	1 PC
3		LEG	4 PCS
4		SIDE PANEL	2 PCS
5		CENTER PANEL	2 PCS
6		SHELF	1 PC
7A		RIGHT DOOR	1 PC
7B		LEFT DOOR	1 PC
8		BACK PANEL	1 PC
9		BOTTOM PANEL	1 PC

# WINNERS ONLY®

## ASSEMBLY INSTRUCTION DFG1470B SIDEBOARD

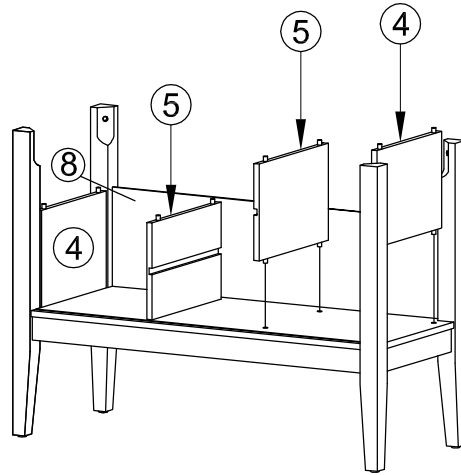
### Step 1.



**Step 1 :**  
Attach Bottom Panel (9) to one of the sideboards Leg (3) using Bolt (A), Washer (B), Lock Washer (C) and tighten using Wrench (D). Once Leg (3) is installed repeat the same procedure to installed the remaining 3 Legs (3)

### Step 2.

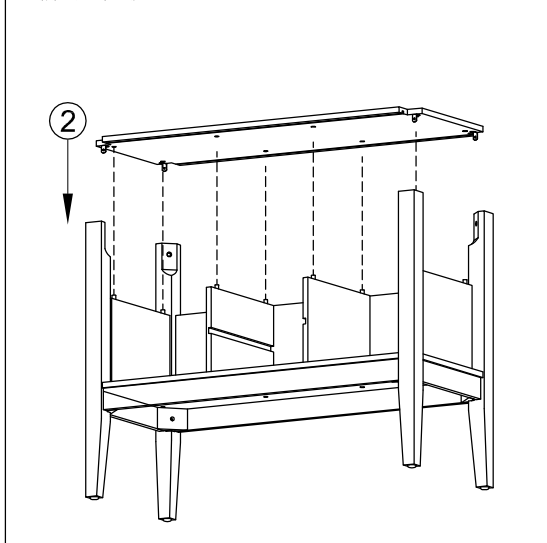
#### Illustration 2



**Step 2.1 :**  
Installed the two Side Panel (4) as shown on illustration 2.  
**Step 2.2 :**  
Installed the 2 Center Panel (5) as shown on illustration 2.  
**Step 2.3 :**  
Installed the Back Panel (8) as shown on illustration 2.

### Step 3.

#### Illustration 3

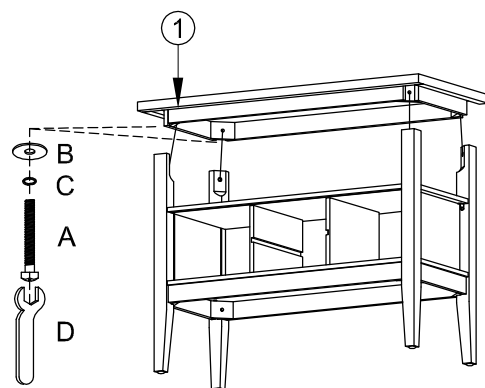


**Step 3 :**  
Installed the Top Panel (2) as shown on illustration 3.

Please avoid damaging server legs with the Top Panel

### Step 4.

#### Illustration 4



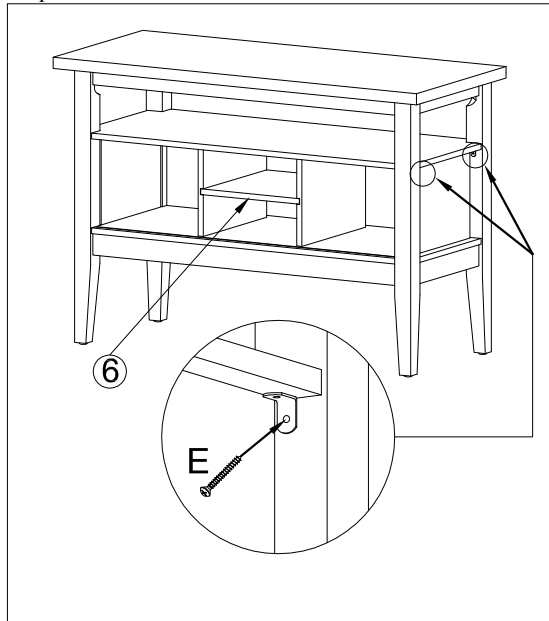
**Step 4 :**  
Attach Sideboard Top (1) to one of the Leg (3) using Bolt (A), Washer (B), Lock Washer (C) and tighten using Wrench (D). Repeat step for the remaining corners.

# WINNERS ONLY®

## ASSEMBLY INSTRUCTION DFG1470B SIDEBOARD

Step 5.

Illustration 5



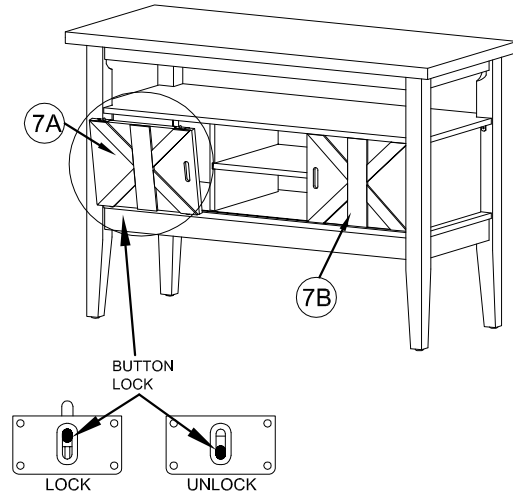
Step 5.1 :  
Tighten all the L Brackets using Wood Screws (E) on the side of each Leg (3)

Step 5.2 :  
Install the shelf (6) as shown in illustration 5.

Step 6.

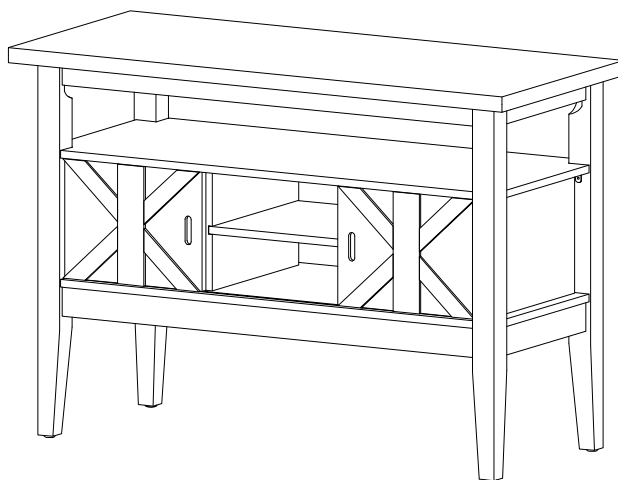
FRONT

Illustration 6



UNLOCK THE DOOR BEFORE PLACING THE DOOR PANEL(7) INTO THE FLUTE THEN PUSH BUTTON LOCK TO ENSURE THE DOOR STAY BETWEEN THE FLUTE.

Step 6 :  
Installed the Right Door (7A) by inserting the Door into the Bottom Panel (9) groove. Once Door is on the Bottom Panel (9) groove secure door by using the lock mechanism on the door as shown on illustration 6.  
Repeat step for Left Door (7B)



**IMPORTANT NOTE :**

- Please do not overtighten screws or bolts.
- Please keep all hardware parts out of the reach of children.
- Two or more people are needed for assembly.

Assembly is now completed.