

WINNERS ONLY®









Assembly Instruction

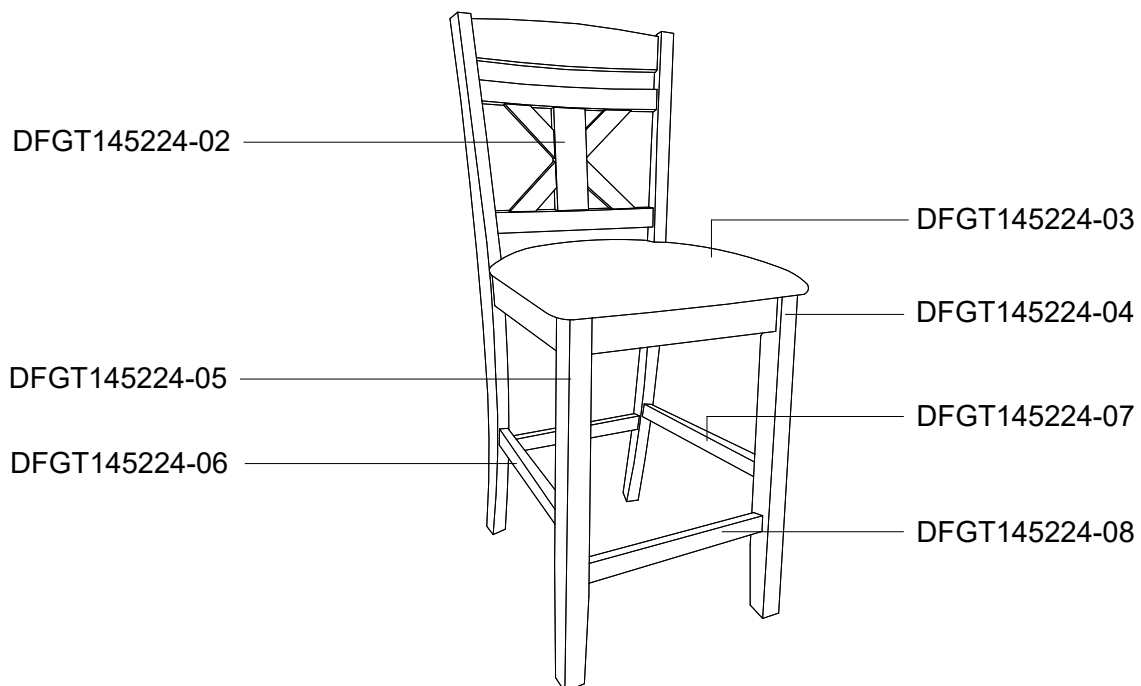
DFGT145224N

Caution: Please read instructions thoroughly before unpacking assembly parts. Sharp, exposed staple tips can cause injury, therefore, for your protection, please remove any exposed staples used in packing. Please keep all hardware parts out of the reach of children.

- 1) We recommend that you should assemble this product with the assistance of another person; this will make assembly easier, and will help to eliminate damage to the product or injury to person during assembly.
- 2) Be sure to check all packing materials carefully for small parts that may have come loose inside the carton during shipment.
- 3) Please do not over tighten screws or bolts.
- 4) Please put all parts on a non-abrasive floor before assembly, and follow the assembly steps to assemble your newly purchased product correctly and efficiently.

PARTS LIST

PART NO	FIGURE	DESCRIPTION	QTY
DFGT145224-01		Hardware Bag	1 Pc
DFGT145224-02		Chair Back	1 Pc
DFGT145224-03		Cushion Seat	1 Pc
DFGT145224-04		Front Leg (Right)	1 Pc
DFGT145224-05		Front Leg (Left)	1 Pc
DFGT145224-06		Side Stretcher (Left)	1 Pc
DFGT145224-07		Side Stretcher (Right)	1 Pc
DFGT145224-08		Front Stretcher	1 Pc


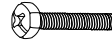
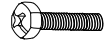






WINNERS ONLY®

Assembly Instruction

DFGT145224N

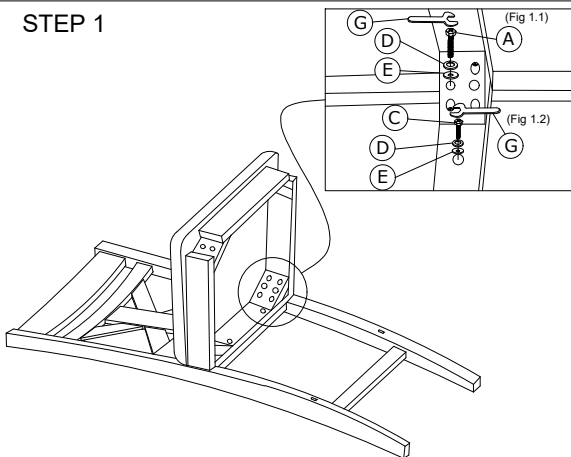
HARDWARE PARTS :

(A)	(B)	(C)	(D)	(E)	(F)	(G)
						
Hex. Bolt M6 x 80mm 4 pcs	Hex. Bolt M6 x 60mm 4 pcs	Hex. Bolt M6 x 40mm 2 pcs	Lock Washer 10 pcs	Flat Washer 10 pcs	PHRS Screw #8 x 1 1/2" 6 pcs	Spanner 10mm 1 pc

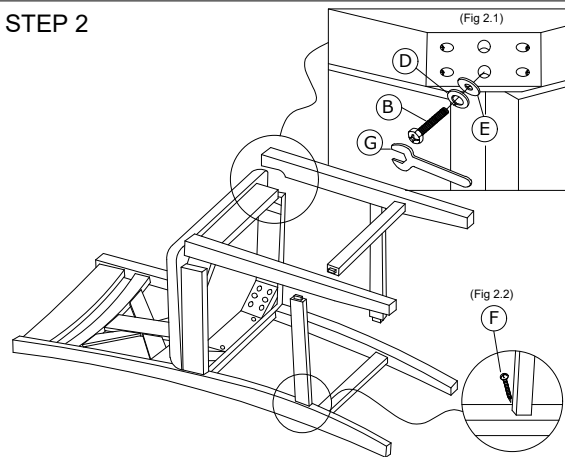
Step 1: Attached cushion seat to the chair back using the provided hardware as shown on Fig. 1.1 and Fig. 1.2.

Step 2: Attached Front Legs (Left and Right) to Cushion Seat and the Side and Front Stretchers to Front Legs and Chair Back using the provided hardware as shown in Fig. 2.1 and 2.2

STEP 1

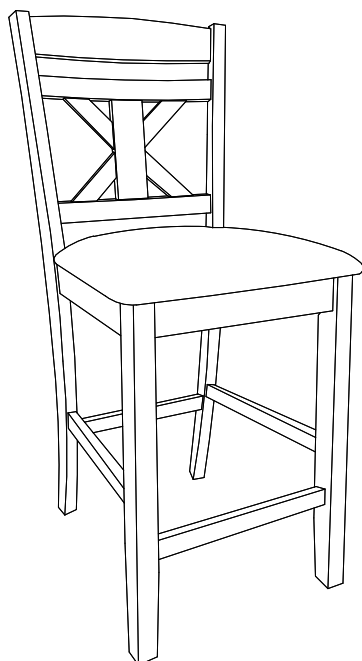


STEP 2



STEP 3

Turn the chair to standing position. Check its balance and tighten all screw and bolt to complete the assembly.



IMPORTANT NOTE :

- Please do not overtighten screws or bolts.
- Please keep all hardware parts out of the reach of children.
- Two or more people are needed for assembly.

CARE INSTRUCTION

- Be sure to use the same type of polish consistently. Your furniture will appear cloudy or streaky if oil based or wax based polishes are interchanged.
- Spray your furniture surface eventit. Wipe in a circular motion with a soft clean cloth.