

WINNERS ONLY®

ASSEMBLY INSTRUCTIONS

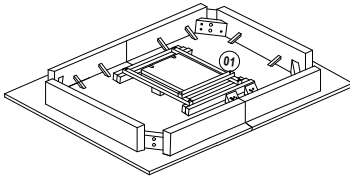
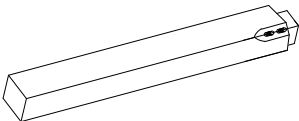
PROD. NO : DH24282

Thank you for purchasing this quality product. Be sure to check all packing material carefully for small parts that may have come loose inside the carton during shipment .

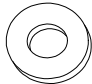

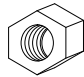

"Hardware is attached underneath the seat bottom"

This product will take 15-20 minutes to assemble

Components List :

NO	DESCRIPTION	SKETCH	QTY
A	Table Top		1pc
B	Leg		4pcs

Hardware List :

NO	DESCRIPTION	SIZE	SKETCH	QTY
1	Flat Washer	$\frac{5}{16}$ " x 22 mm		8pcs
2	Spring Washer	$\frac{5}{16}$ "		8pcs
3	Hexagon Nut	$\frac{5}{16}$ " x 7 mm		8pcs
4	Spanner	12.8 mm		1pcs

Reminders

1. Use only the hardware supplied.
2. Once the chair is finished, level and tighten all the bolts.
3. Do not over tighten bolts.
4. This item may require periodic tightening.

NOTE :

1. Hardware pack is located underneath the Table Top (A).
2. Two or more people are needed for assembly. Please keep all hardware part out the reach of children.

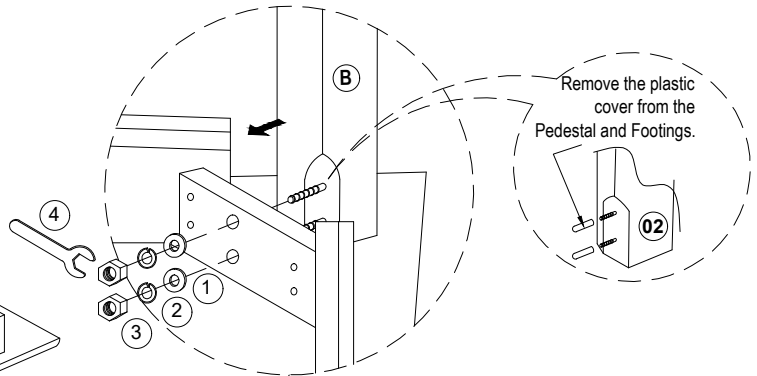
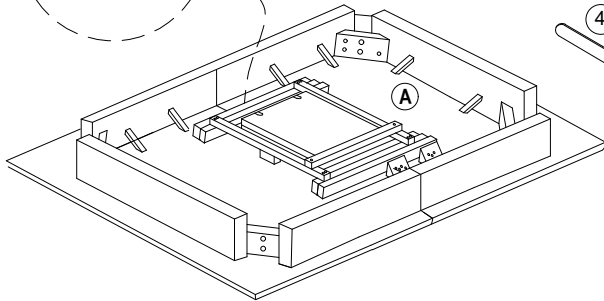
WINNERS ONLY®

ASSEMBLY INSTRUCTIONS

PROD. NO : DH24282

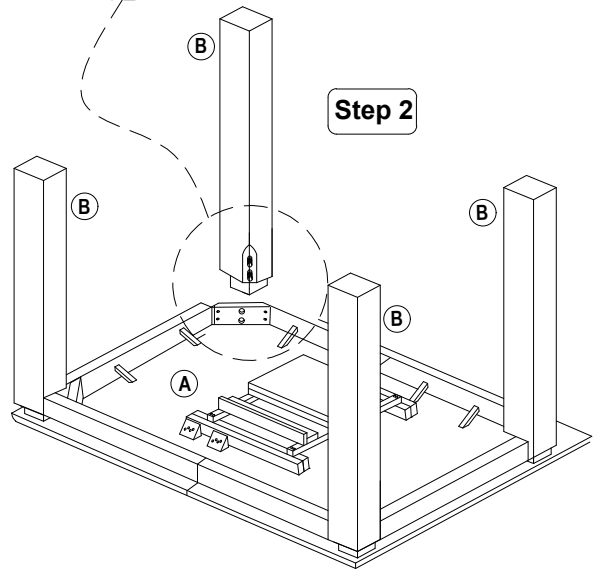


Step 1

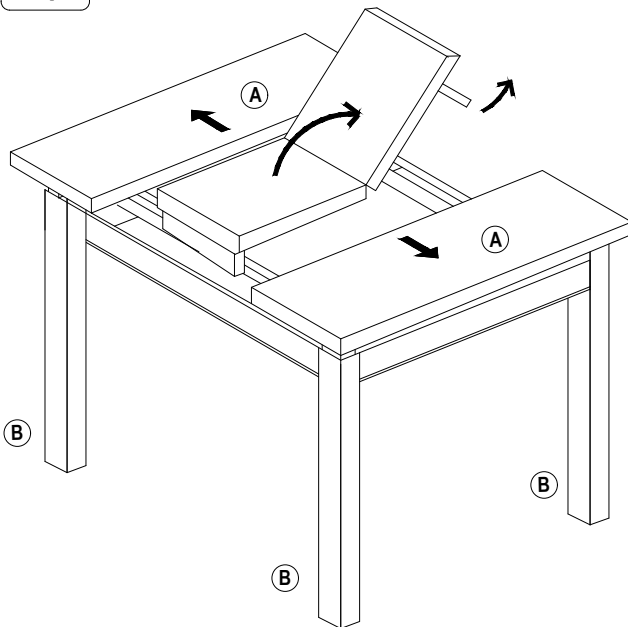


Remove the plastic cover from the Pedestal and Footings.

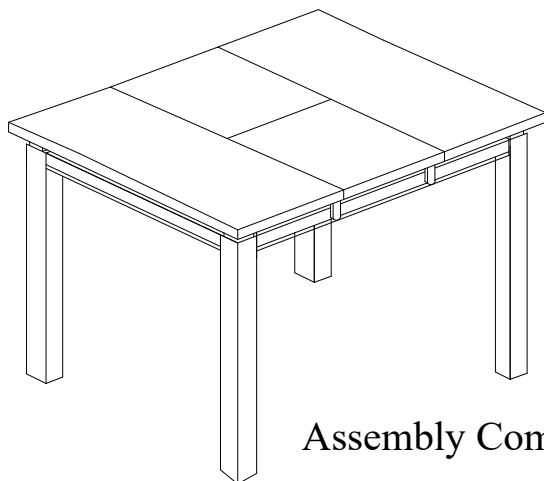
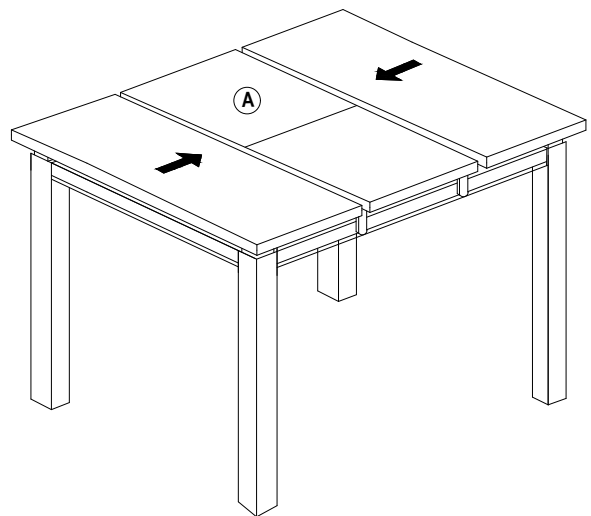
Step 2



Step 3



Step 4



Assembly Completed !!..

IMPORTANT NOTE :

- Please do not overtighten screws or bolts.
- Please keep all hardware parts out of the reach of children.
- Two or more people are needed for assembly.