

# WINNERS ONLY®

## ASSEMBLY INSTRUCTIONS

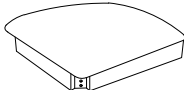
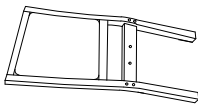
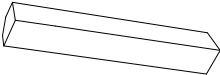
PROD. NO : DH2450S

Thank you for purchasing this quality product. Be sure to check all packing material carefully for small parts that may have come loose inside the carton during shipment .

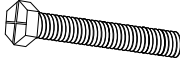
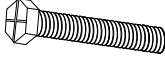
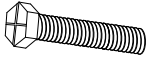
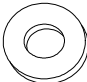


**"Hardware is attached underneath the seat bottom"**

This product will take 15-20 minutes to assemble

### Components List :

NO	DESCRIPTION	SKETCH	QTY
A	Cushion Seat		1pc
B	Chair Back		1pc
C	Leg		2pcs

### Hardware List :

NO	DESCRIPTION	SIZE	SKETCH	QTY
1	Hex. Bolt	M6 x 80 mm		4pcs
2	Hex. Bolt	M6 x 60 mm		4pcs
3	Hex. Bolt	M6 x 40 mm		2pcs
4	Flat Washer	$\frac{1}{4}$ " x 18mm		10pcs
5	Spring Washer	$\frac{1}{4}$ "		10pcs
6	Spanner	10 mm		1pcs

#### Reminders

1. Use only the hardware supplied.
2. Once the chair is finished, level and tighten all the bolts.
3. Do not over tighten bolts.
4. This item may require periodic tightening.

#### NOTE :

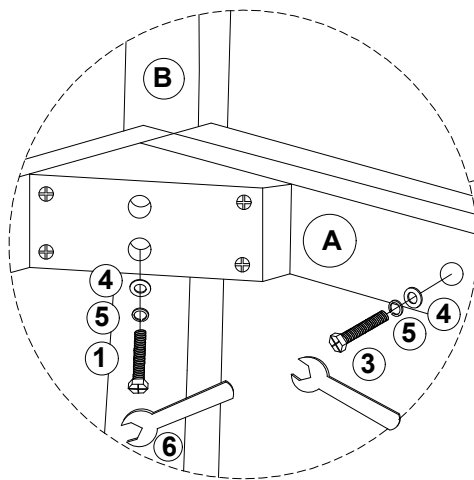
1. Hardware pack is located underneath the Wooden Seat (A).
2. Two or more people are needed for assembly. Please keep all hardware part out the reach of children.

# WINNERS ONLY®

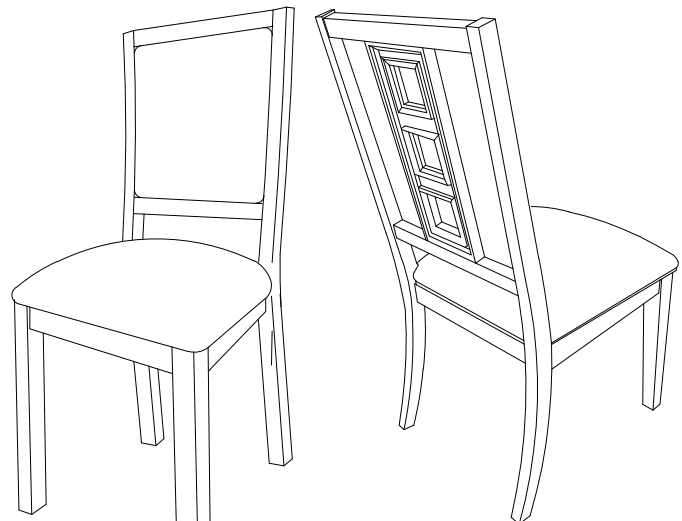
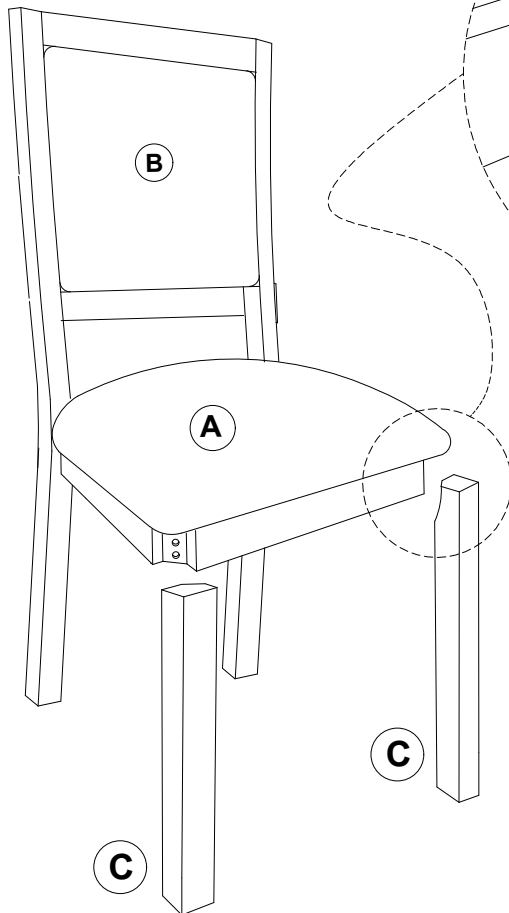
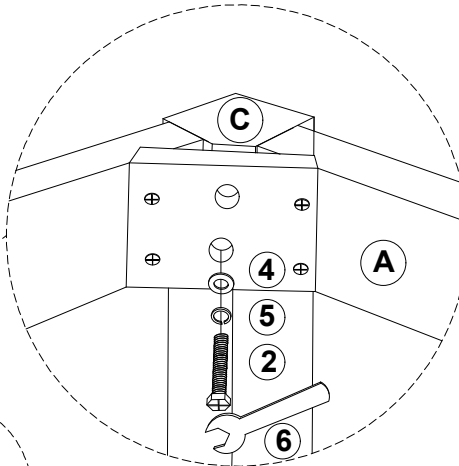
## ASSEMBLY INSTRUCTIONS

PROD. NO : DH2450S

**Step 1** \* POWER TOOLS ARE NOT RECOMMENDED.



**Step 2**



**Assembly Completed !!..**

**IMPORTANT NOTE :**

- Please do not overtighten screws or bolts.
- Please keep all hardware parts out of the reach of children.
- Two or more people are needed for assembly.