

# WINNERS

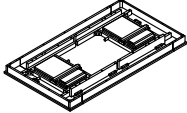
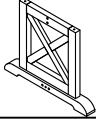
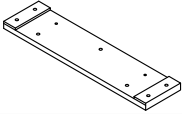
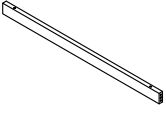
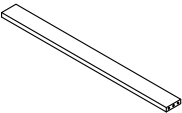
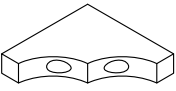
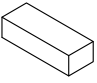
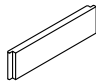
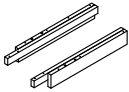
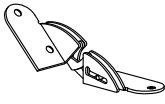

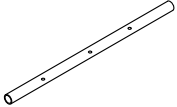

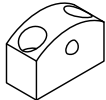
ONLY INC.

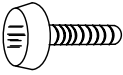
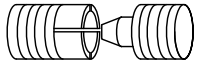
## ASSEMBLY INSTRUCTIONS

**Reminders**

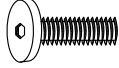



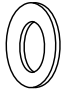
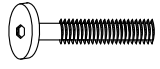
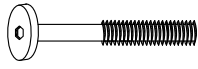
1. Use only the hardware supplied.
2. Do not over-tighten bolts.
3. This item may require periodic tightening.

**ITEM NO : DJ14094**

COMPONENTS LIST			QTY
A	Table Top		1pc
B	Table Legs		2pcs
C	Mounting Plate		2pcs
D	Trestle Bar		1pc
E	Bottom Rail		1pc
F	Display Apron		4pcs
G	Cap		2pcs
H	Apron Leaf (Left- Right)		4pcs
I	Glides (Left- Right)		4pcs
J	Leaf Hinge		4pcs
K	Clamp Lock		8pcs
L	Support Leaf Axle		2pcs
M	Apron Hinge		8pcs
N	Apron Lock		4pcs

COMPONENTS LIST			QTY
O	Adjustable Leveler		4pcs
P	Plastic Insert		2pcs

**Hardware List :**

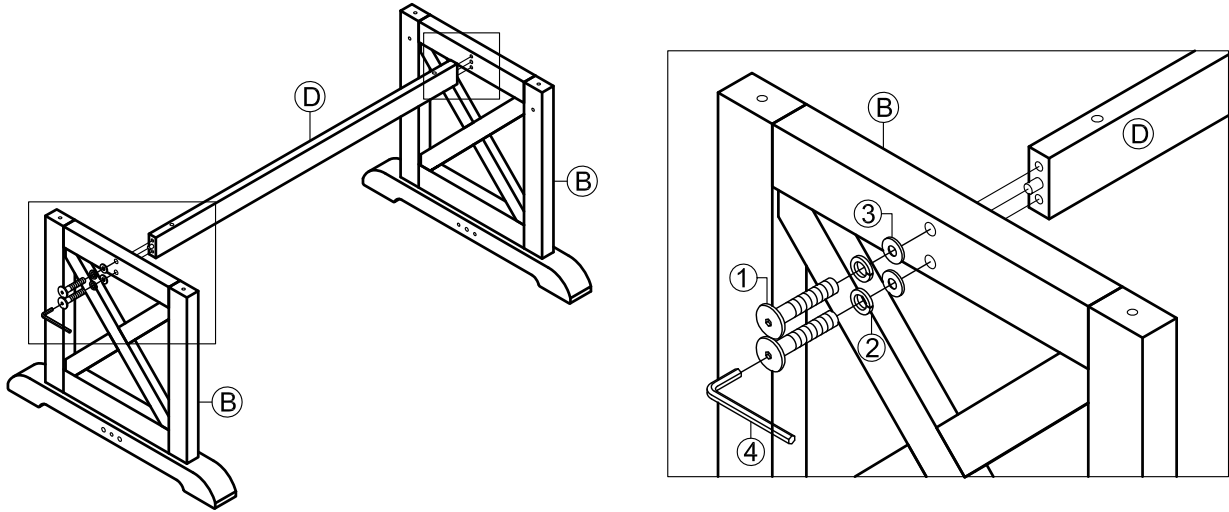
NO	DESCRIPTION	SIZE	FIGURE	QTY
1	Short Bolt	1/4"x 45mm		18pcs
2	Spring Washer	5/16"x 12mm		30pcs
3	Small Washer	1/4"x 12mm		16pcs
4	Allen Key	58x 23x 4mm		1pc
5	Flat Washer	5/16"x 19mm		14pcs
6	Bolt	1/4"x 85mm		4pcs
7	Long Bolt	1/4"x 105mm		8pcs

# WINNERS

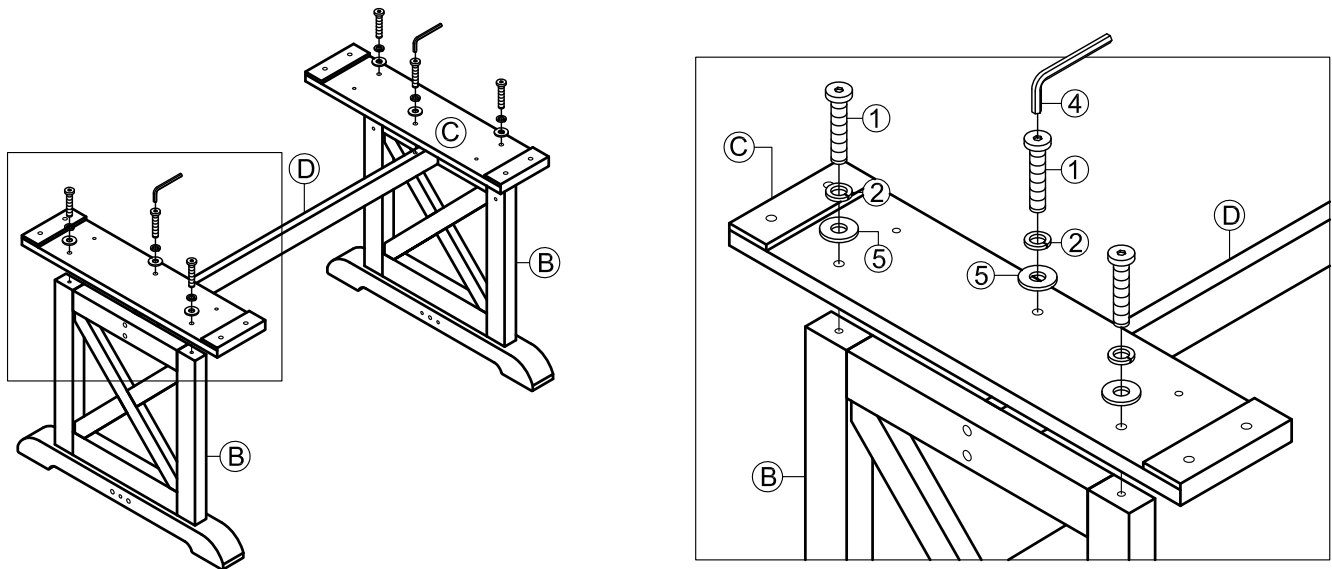
ONLY INC.

## ASSEMBLY INSTRUCTIONS

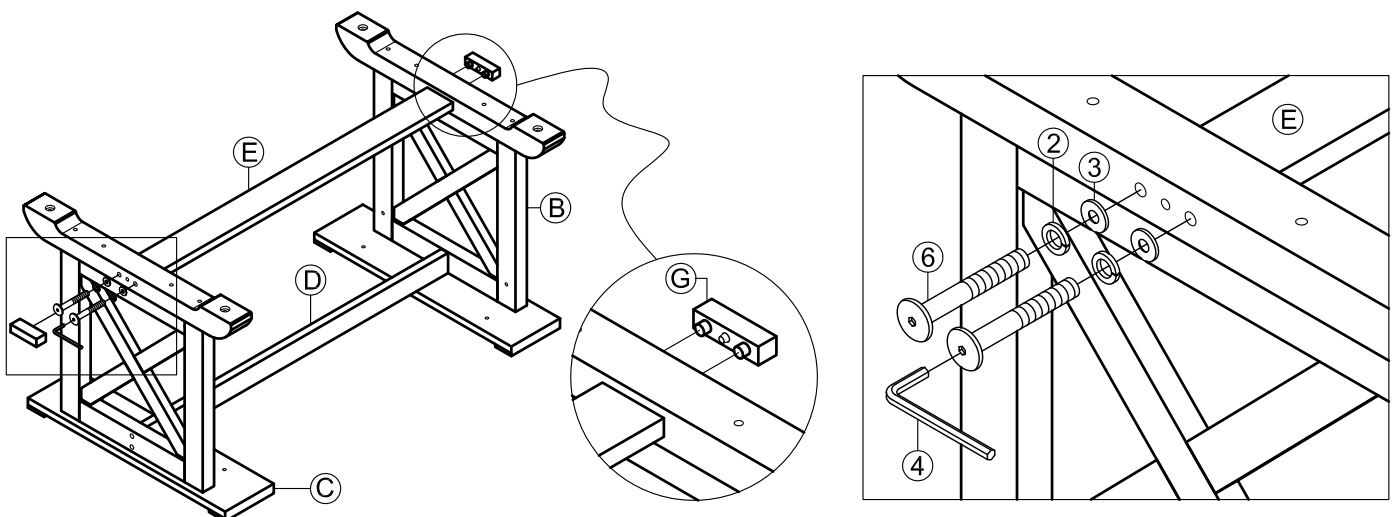
Step (1): Attach Table Leg (B) to the Trestle Bar (D), insert short bolts (1), spring washers (2), small washers (3), tighten by using allen key (4). Do not fully tighten yet.



Step (2): Attach Mounting Plate (C) to the Table Leg (B), insert short bolts (1), spring washers (2), flat washers (5) and attach Mounting Plate (C) to the Trestle Bar (D), insert short bolts (1), spring washers (2), flat washers (5), tighten by using allen key (4). Do not fully tighten yet.

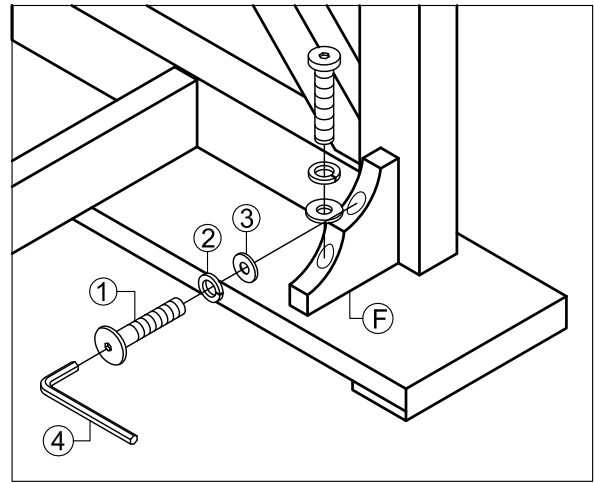
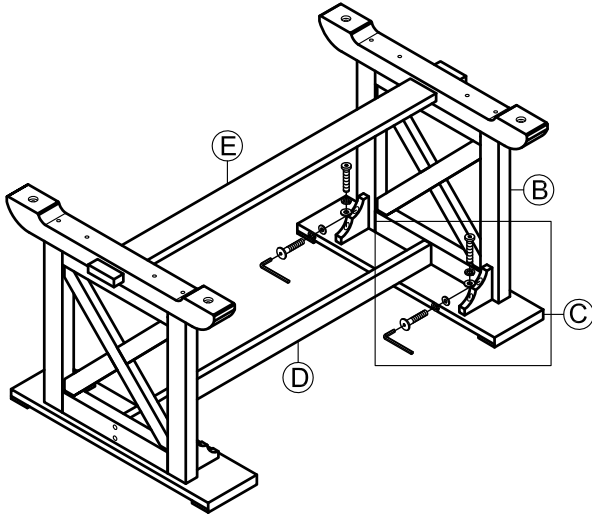


Step (3): Attach Bottom Rail (E) to the Table Leg (B), insert small washers (3), spring washers (2), bolts (6), tighten by using allen key (4), do not fully tighten yet and put cap (G) into the hole of the Table Leg (B) as shown.

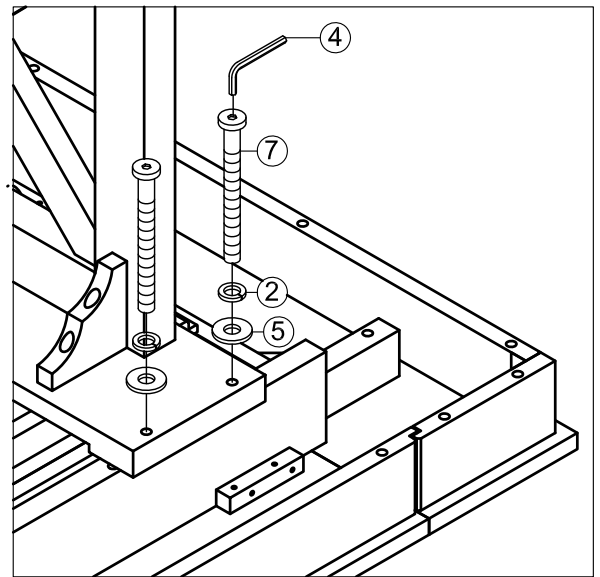
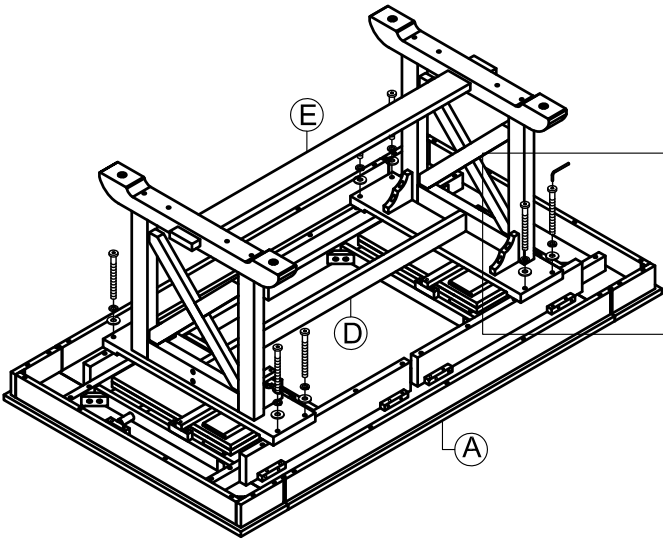


# WINNERS ONLY INC. ASSEMBLY INSTRUCTIONS

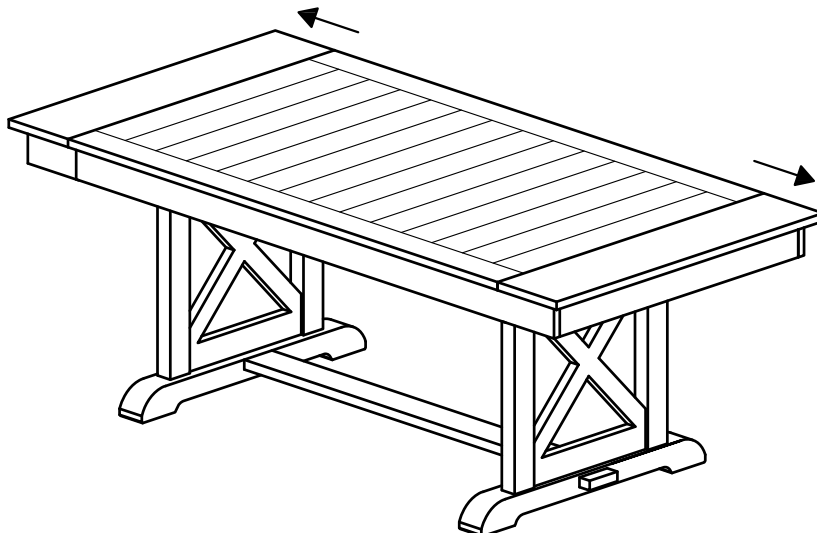
Step (4): Attach Display Apron (F) to the Mounting Plate (C) and Table Leg (B) , insert short bolts (1), spring washers (2), small washers (3), tighten by using allen key (4). Do not fully tighten yet.



Step (5): Turn the Table Base assembly upside down. Attach Table Base assembly to Table Top (A), by inserting flat washer (5), spring washer (2), long bolt (7) and tighten by allen key (4). Do not fully tighten yet.

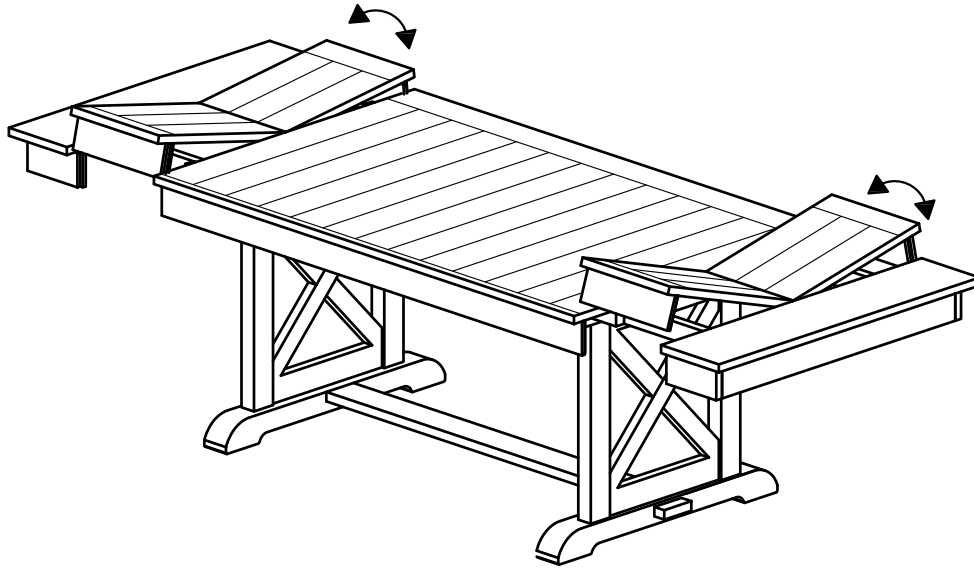


Step (6): Turn the table to the upright position.



# WINNERS ONLY INC. ASSEMBLY INSTRUCTIONS

Step (7): Pull the table open from both sides and flip the leaf into the open position.



Step (8): Install the leaves to the table top ends and secure them with the clamp lock (K). Close the table by gently pushing from both ends of the table and secure the leaves to the table top with the clamp lock (K).

