

WINNERS ONLY®

ASSEMBLY INSTRUCTIONS

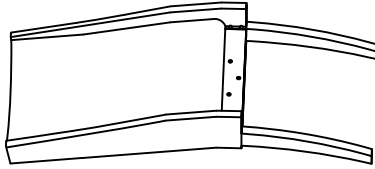
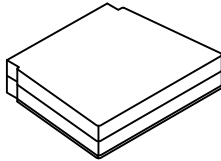
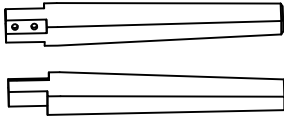
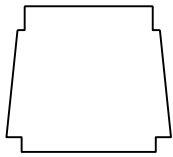
PROD. NO : DN2451S

Thank you for purchasing this quality product . Be sure to check all packaging material carefully for small parts that may have come loose inside the carton during shipment .




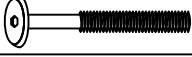


"Hardware is attached underneath the seat bottom"

This product will take 15-20 minutes to assemble

Components List :

NO	DESCRIPTION	SKETCH	QTY
A	Back Rest		1pc
B	Cushion Seat		1pc
C	Front Leg		2pcs
D	Velcro		1pc

Hardware List :

NO	DESCRIPTION	SIZE	SKETCH	QTY
1	Allen Key	58 x 23 x 4 mm		1pc
2	Short Bolt	1/4" x 42 mm		3pcs
3	Short Bolt	1/4" x 57 mm		4pcs
4	Long Bolt	1/4" x 90 mm		4pcs
5	Spring Washer	5/16" x Ø12		11pcs
6	Flat Washer	5/16" x Ø19		11pcs

Reminders

1. Use only the hardware supplied.
2. Once the chair is finished, level and tighten all the bolts.
3. Do not over-tighten bolts.
4. This item may require periodic tightening.

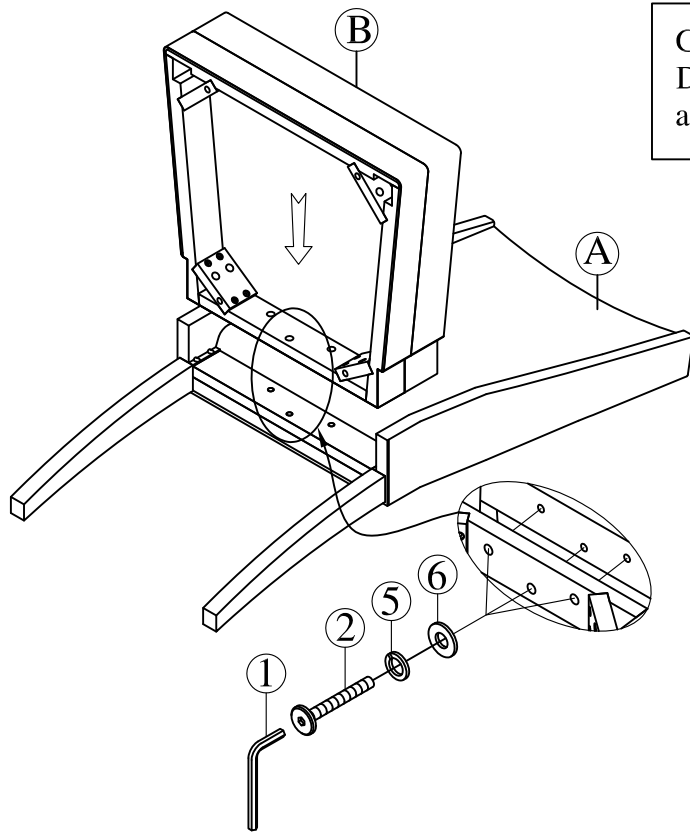
NOTE :

1. Hardware pack is located underneath the Cushion Seat (B).
2. Two or more people are needed for assembly. Please keep all hardware parts out of the reach of children.

WINNERS ONLY®

ASSEMBLY INSTRUCTIONS

PROD. NO : DN2451S



Grab hardware bag from underneath the cushion seat.
Do not fully tighten bolts until the Product is level
and the assembly of the product is completed.

Fig.1

Step 1: Lay the Backrest (A) on a flat soft surface,
And Remove the Velcro (D) from under the
Cushion Seat (B) Use Short Bolt (2), Spring
Washer (5), Flat Washer (6) and Allen Key (1)
to attached the seat Cushion Seat (B) to Backrest (A)
as shown in Fig. 1.

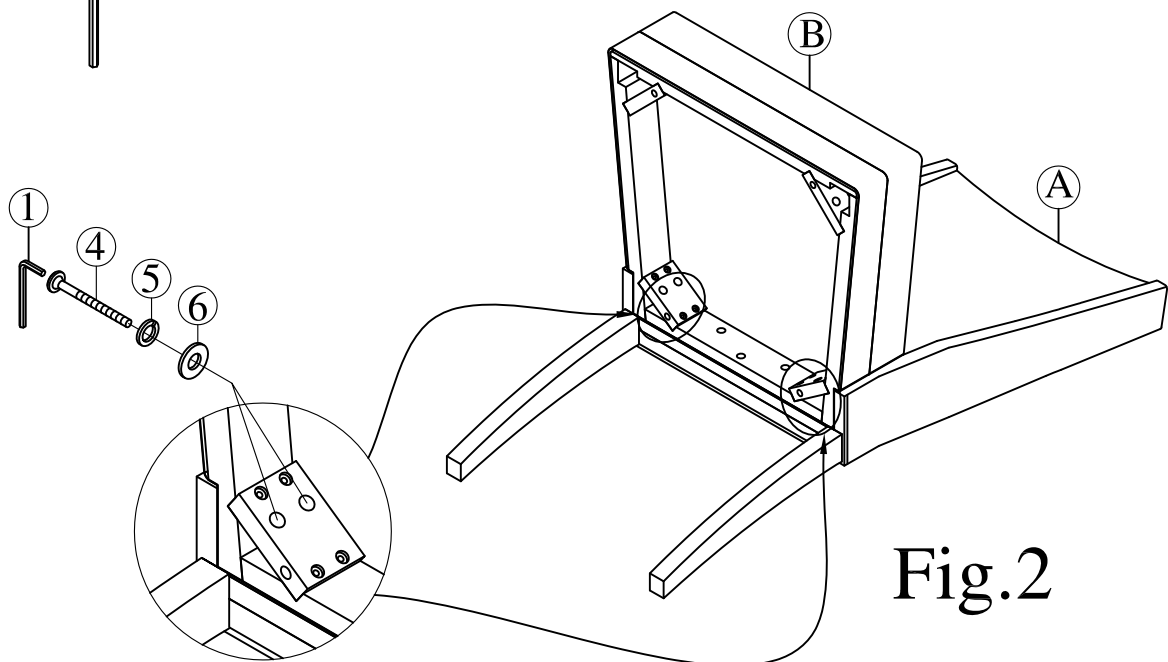


Fig.2

Note: move seat back
and forward to ease
the finding of the hole in
the corner block.

Step 2 : Use Long Bolt (4), Spring Washer (5) Flat Washer (6) and
Allen Key (1) to attached the Cushion Seat (B) to Chair Backrest (A)
as shown in Fig. 2 .
Do not fully tighten bolts yet.

WINNERS ONLY®

ASSEMBLY INSTRUCTIONS

PROD. NO : DN2451S

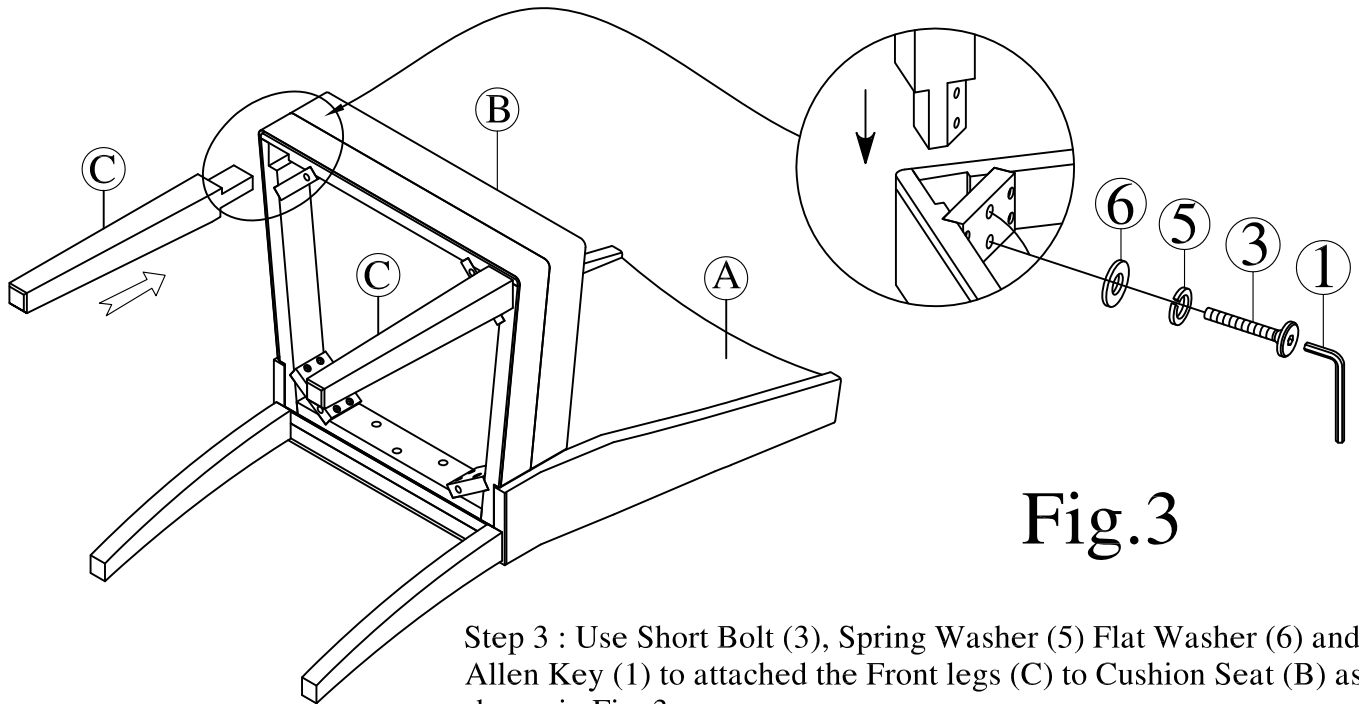


Fig.3

Step 3 : Use Short Bolt (3), Spring Washer (5) Flat Washer (6) and Allen Key (1) to attached the Front legs (C) to Cushion Seat (B) as shown in Fig. 3 .

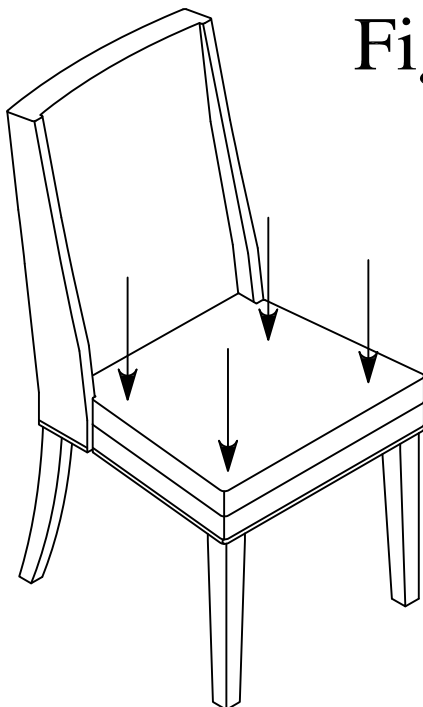


Fig.4

Step 4: Place the loosely assembled chair on a hard flat surface and apply gentle downward pressure on the seat. As shown on Fig.4. Once the chair is balanced and leveled, fully tighten all bolts.

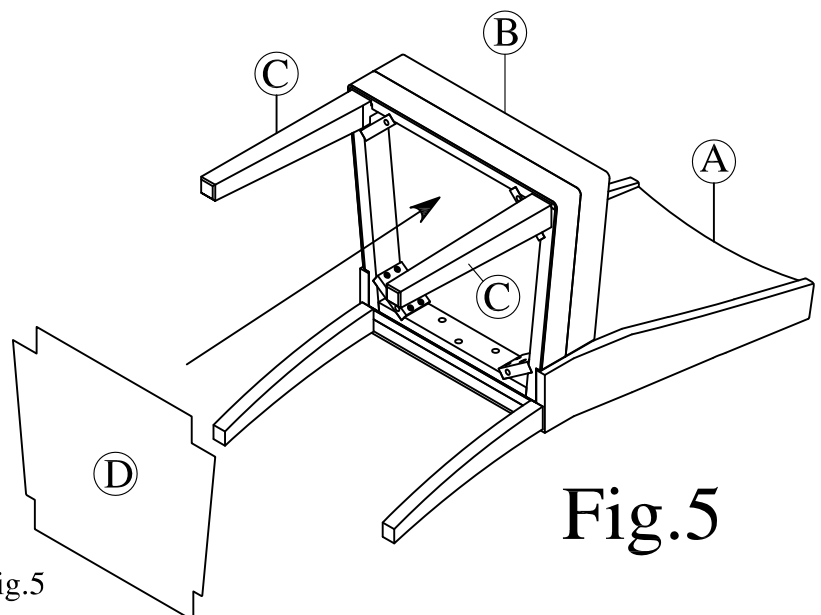


Fig.5

Step 5: Attache Velcro (D) under Cushion Seat (B) as shown in Fig.5

Assembly is now Complete