

WINNERS ONLY®

ASSEMBLY INSTRUCTIONS

PROD. NO : DNA142108T & DNA142108B

Thank you for purchasing this quality product. Please read the instructions thoroughly before unpacking the assembly parts.

Caution: sharp exposed staple tips can cause injury, therefore for your protection, please remove any exposed staples used in packing.

Please keep all hardware parts out of the reach of children.

1. We recommend that you should assemble this product with the assistance of another person; this will make the assembly easier, and will help to prevent personal injury and to insure parts are not damaged during the assembly process.

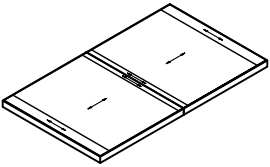
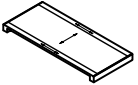



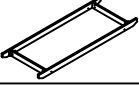

2. Before beginning, please check the packing materials carefully for small parts which may have come loose inside the carton during shipping. Please do not discard any packing material until all parts have been located. If any parts are missing, please contact your dealer for prompt replacement.


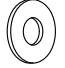





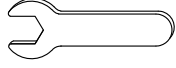
3. To prevent damage to your floor or carpet, please check the bottom of each piece of furniture for stain residues and rough surfaces and also check for staples or nails left after removing the packing materials. The manufacturer will not be held responsible if preventive steps are not taken prior to installation.

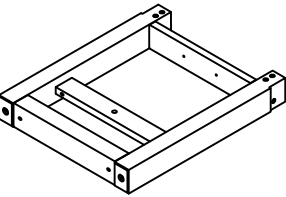
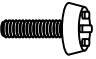
4. Please do not over tighten screws or bolts. During normal use everyday, screws, bolts, nuts and wooden plugs may loosen up. They should be periodically inspected and re-tightened to prevent damage to the furniture and (or) personal property or cause injury. Always check to be sure all hardware on this list and the below mentioned components are attached to the furniture properly and kept tightened.

5. Please lay all parts and hardware on a non abrasive surface such as a carpet, and follow the assembly

Hardware List :

DNA142108T COMPONENTS LIST			QTY
A	Table Top		1pc
B	Table Leaf		2pcs
C	Leaf Support Rail		2pcs
D	Metal Pipe		1pc
E	Metal Glide		2pcs
F	Glide Frame		1pc
G	Clamp Lock		6pcs

NO	DESCRIPTION	SIZE	FIGURE	QTY
1	Short Bolt	Ø5/16"x 50mm		12pcs
2	Small Flat Washer	Ø5/16"x 19mm		16pcs
3	Spring Washer	Ø5/16"x 12mm		16pcs
4	Allen Key	58x 23x 4mm		1pc
5	Long Bolt	Ø5/16"x 75mm		4pcs
6	Hex-Nut	Ø1/2"x 21mm		2pcs
7	Big Flat Washers	Ø1/2"x Ø30mm		2pcs
8	Wrench	100x 22mm		1pc

DNA142108B COMPONENTS LIST			QTY
H	Leg Frame		2pcs
I	Adjustable Leveler		4pcs

IMPORTANT NOTE:

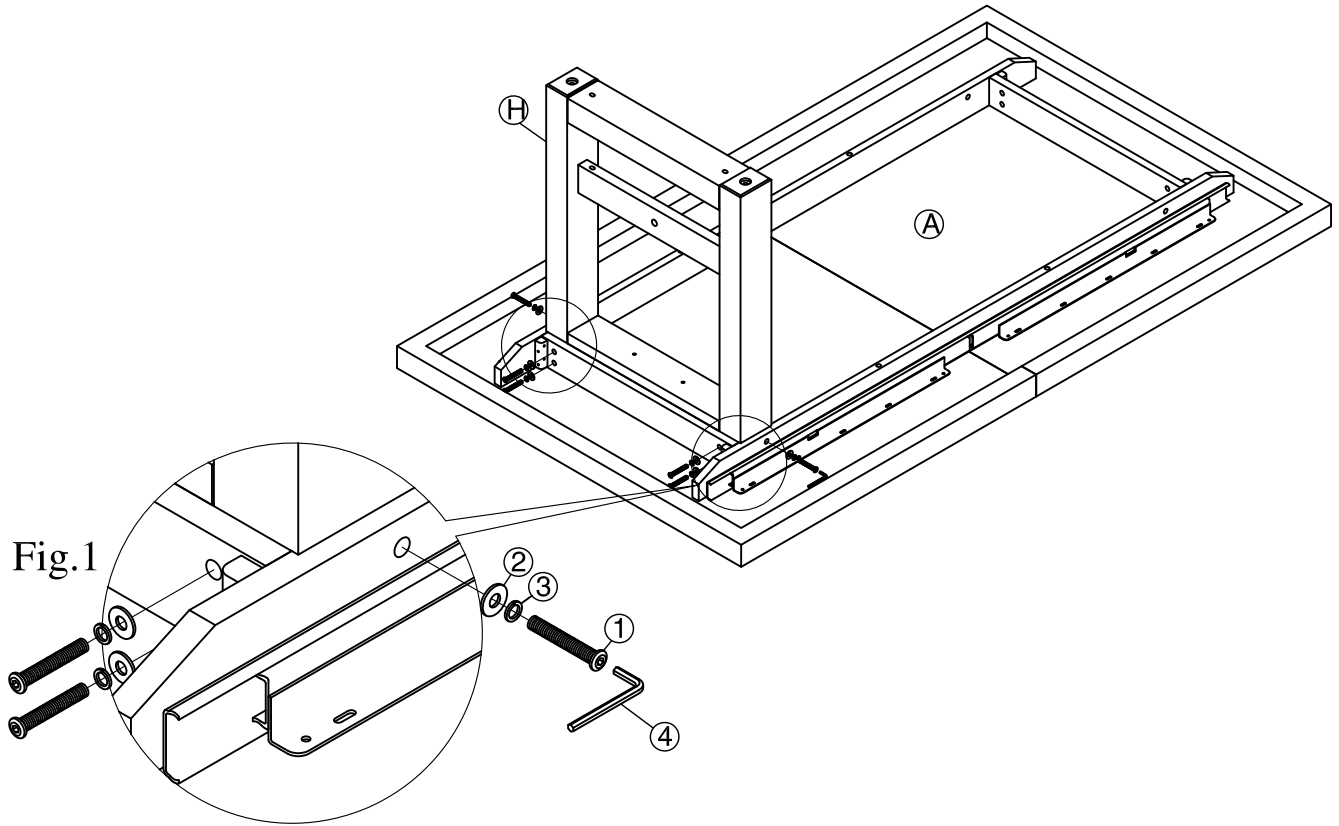
- Please do not over tighten screws or bolts.
- Please keep all hardware parts out of the reach of children.
- Two or more people are needed for assembly.

TIP: store the Allen key and or Wrench used in assembly in this product's drawer or use masking or painter's tape to affix it to the underside of the product. This will make it easier to find if you want to periodically tighten bolts or disassemble the product.

WINNERS ONLY[®]

ASSEMBLY INSTRUCTIONS

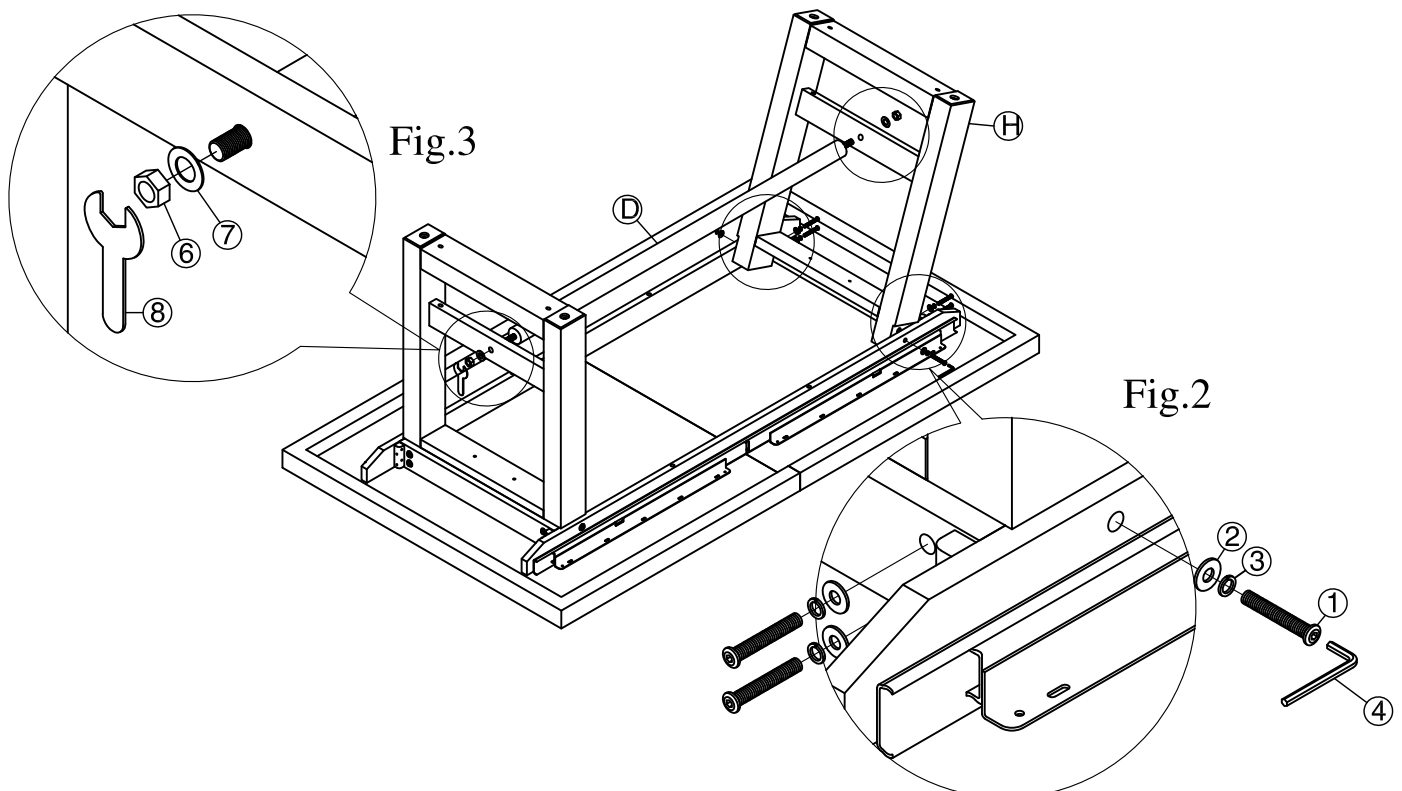
STEP 1: Attached Leg Frame (H) Table Top (A) : Short Bolt (1), spring washers (3), small flat washers (2), tighten by using allen key (4). (Fig.1).



STEP 2:

- Attached Leg Frame (H) Table Top (A) : Short Bolt (1), spring washers (3), small flat washers (2), tighten by using allen key (4). (Fig.2).

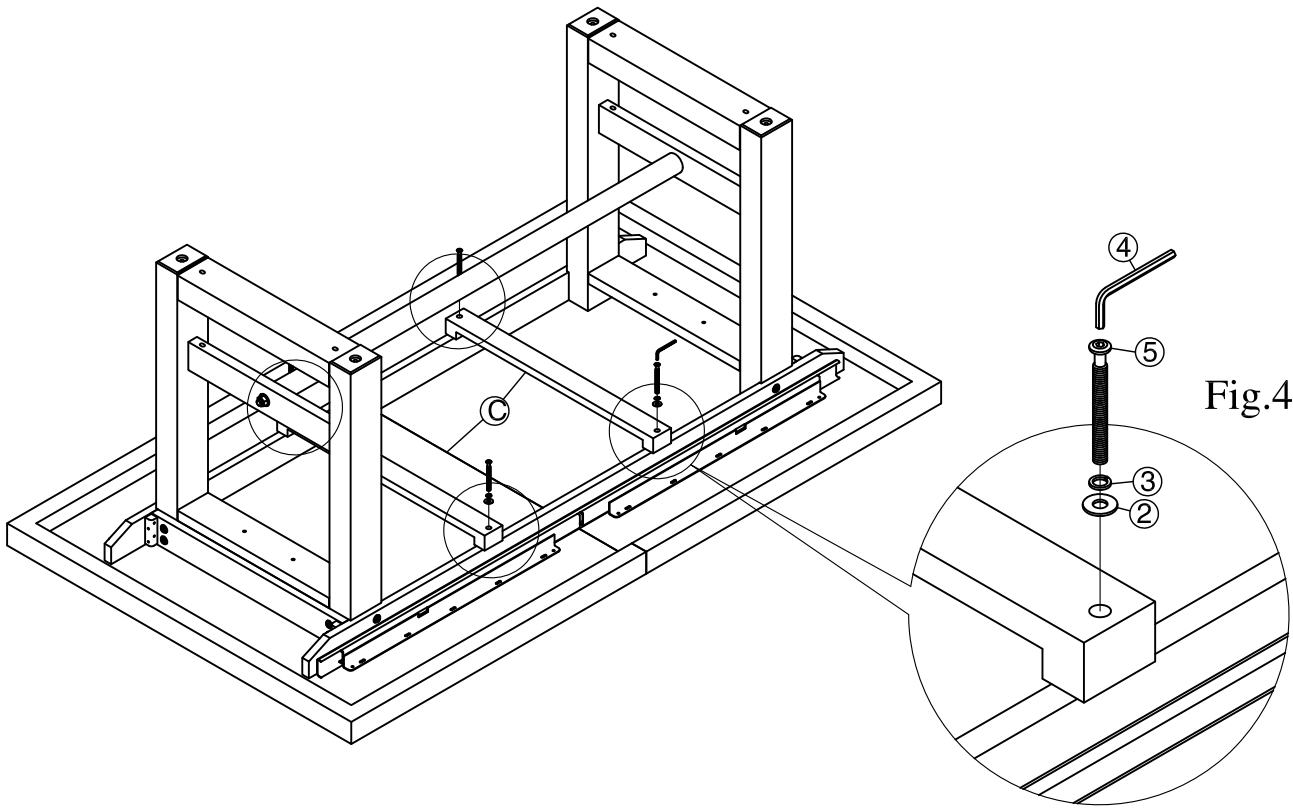
- Attached Metal Pipe (D) Leg Frame (H) : Hex-nut (5), Big flat washers (6), tighten by using wrench (8). (Fig.3).



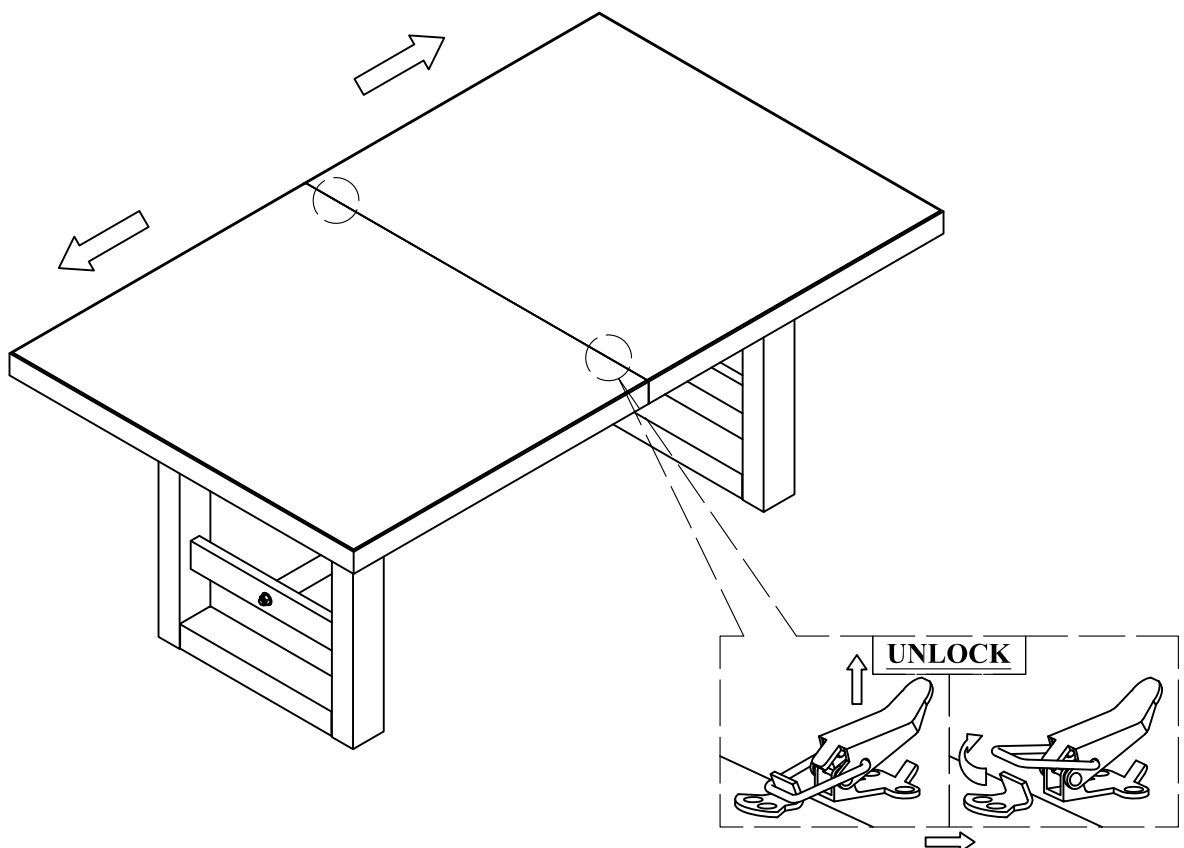
WINNERS ONLY®

ASSEMBLY INSTRUCTIONS

STEP 3: Attached Leaf Support Rail (C) Table Top (A) : Long Bolt (5), spring washers (3), small flat washers (2), tighten by using allen key (4). (Fig.4).



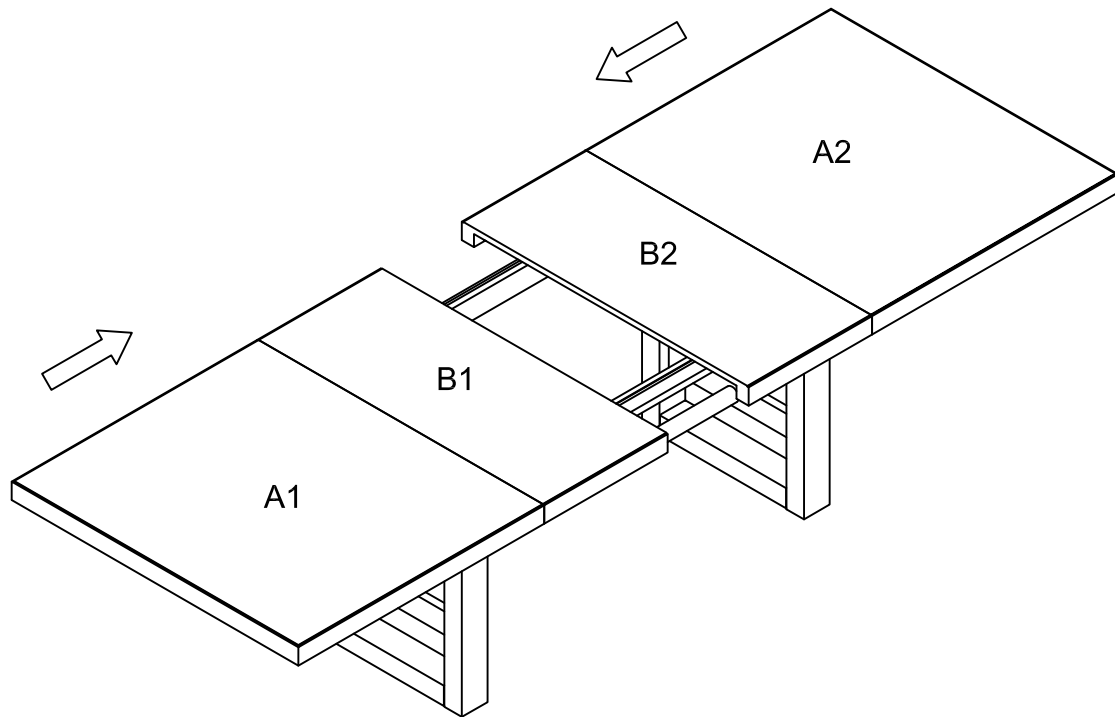
STEP 4: Turn the table to upright position. Unlock the Clamp Locks (I) underneath the Table Top (A) pull from both ends of Table Top (A).



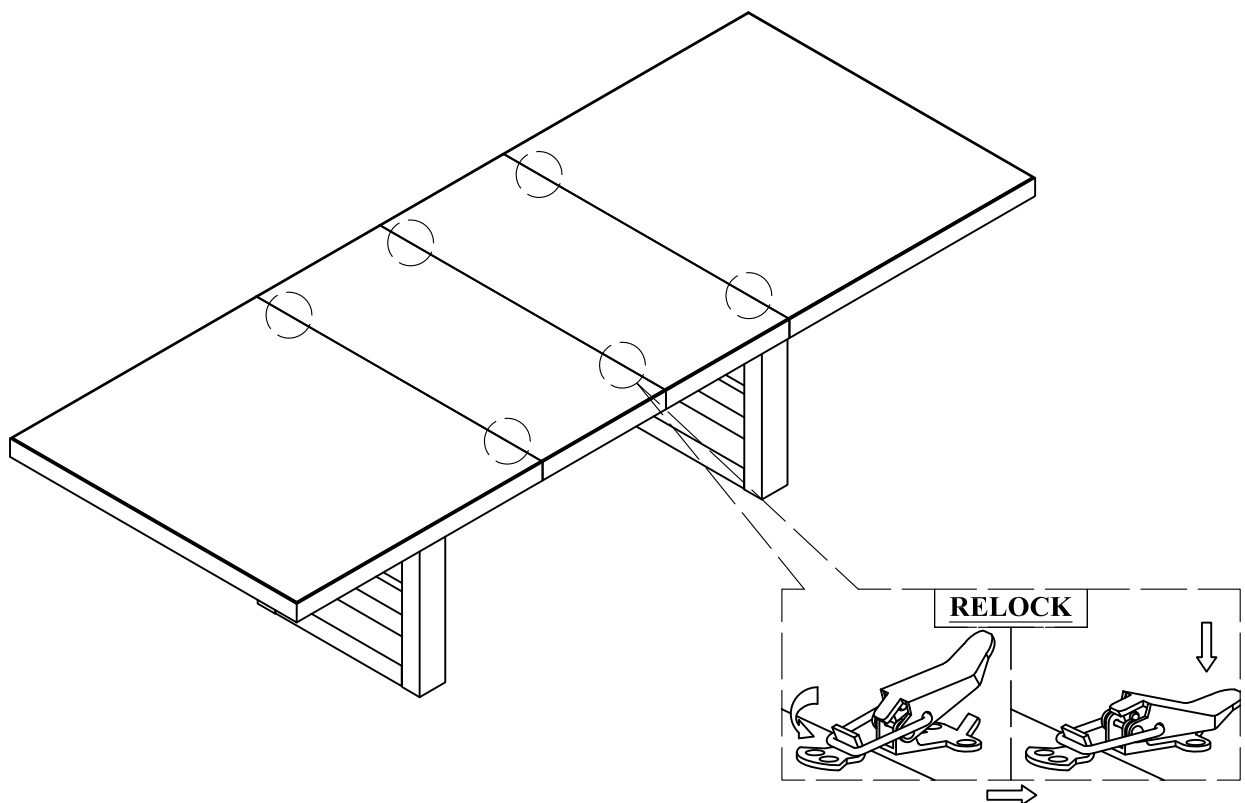
WINNERS ONLY®

ASSEMBLY INSTRUCTIONS

STEP 5: Place the first Table Leaf (B1) in position and attach to Table Top (A1), then place the second Table Top Leaf (B2) in position and attach to Table Top (A2). Push the table top (A) from both ends to close.



STEP 6: Lock the Clamp Lock (I) underneath the Table Top (A) to prevent injury from sliding table top (A).



WINNERS ONLY[®]

ASSEMBLY INSTRUCTIONS

STEP 7: Unlock the clamp locks(l) underneath the table top (A). Pull table top (A) and take out table leaf (B). Carefully place table leaf (B) onto wood support storage under table top as shown. Push table top (A) from both ends to close.

