

WINNERS ONLY®

ASSEMBLY INSTRUCTIONS

PROD.NO : DPT36060G / DPT36060X

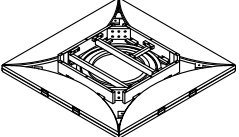
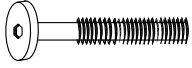
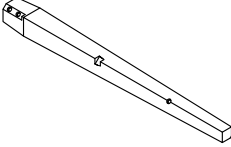

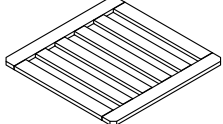

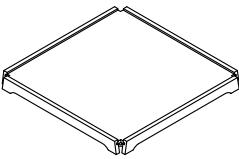

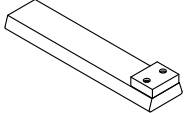
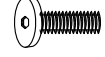
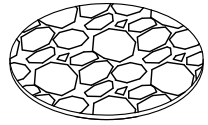

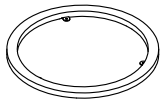
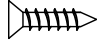
IMPORTANT NOTICE:
Storing and opening the leaf requires 2 people.

Thank you for purchasing this quality product. Be sure to check all packaging materials carefully for small parts that may have come loose inside the carton during shipment.


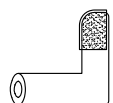
Reminders

1. Use only the hardware supplied.
2. Do not over-tighten bolts.
3. This item may require periodic tightening.

Hardware List 1 :

COMPONENTS LIST			QTY	NO	DESCRIPTION	SIZE	FIGURE	QTY
A	Table Top		1pc	1	Long Bolt	Ø5/16"x 64mm		12pcs
B	Table Leg		4pcs	2	Spring Washer	Ø5/16"x 12mm		16pcs
C	Fixed Shelf		1pc	3	Flat Washer	Ø5/16"x 19mm		16pcs
D	Bottom Shelf		1pc	4	Allen Key	58x 23x 4mm		1pc
E	Wood Glide		8pcs	5	Short Bolt	Ø1/4"x 15mm		4pcs
F	Lazy Susan		1pc	6	L Bracket	39x 16x 20mm		4pcs
G	Swivel Latch		1pc	7	Screw	Ø6x 16mm		4pcs

Hardware List 2 :

NO	DESCRIPTION	SIZE	FIGURE	QTY
8	Short Bolt	Ø1/4"x 55mm		4pcs
9	Leaf Holder	20 x 49mm		4pcs

IMPORTANT NOTE:

- Please keep all hardware parts out of the reach of children.
- Two or more people are needed for assembly.

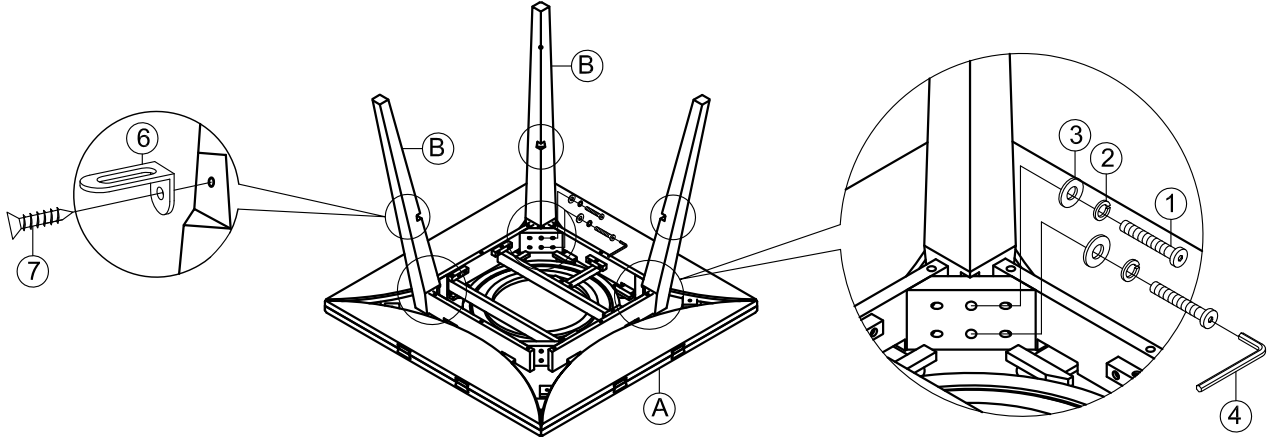
WINNERS ONLY®

ASSEMBLY INSTRUCTIONS

STEP 1:

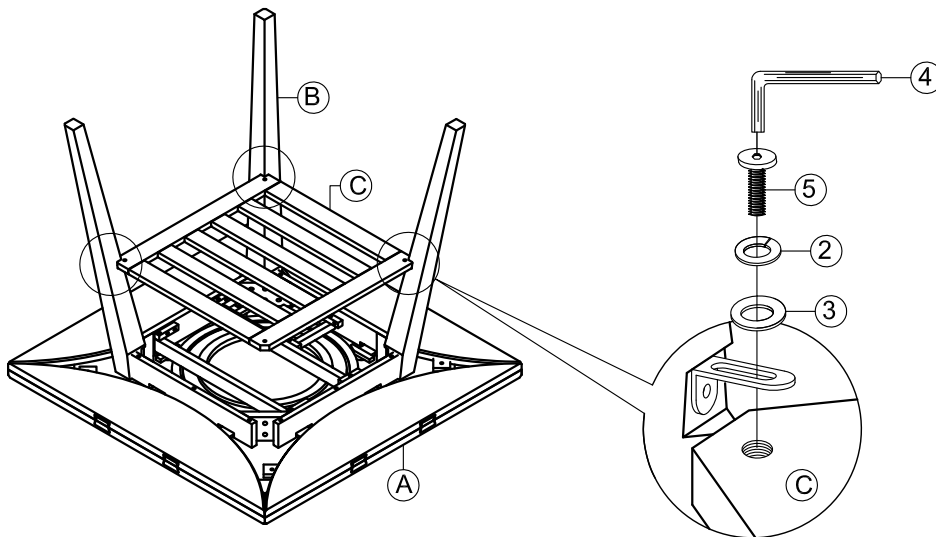
Place the Table Top (A) upside down on soft surface such as a carpet.

Align and fasten three of the Table Legs (B) to Table Top (A) using Long Bolt (1), Spring Washer (2), Flat Washer (3) and tighten with Allen Key (4). Attach L Bracket (6) to the Table Leg (B) using screw (7)



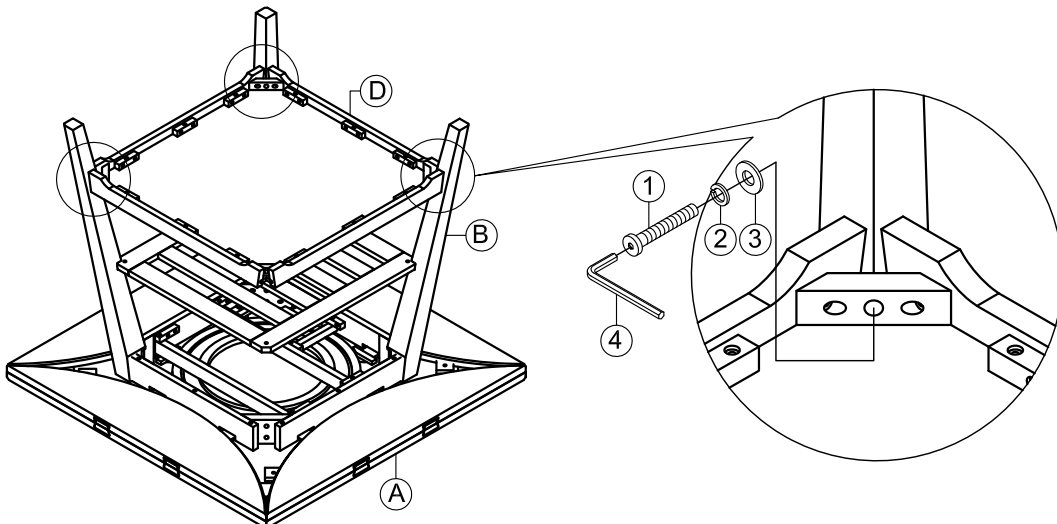
STEP 2:

Attach Fixed Shelf (C) to the Table Leg (B) using Short Bolt (5), Spring Washer (2), Flat Washer (3) and tighten with Allen Key (4).



STEP 3:

Attach Bottom Shelf (D) to the Table Leg (B) using Long Bolt (1), Spring Washer (2), Flat Washer (3) and tighten with Allen Key (4).

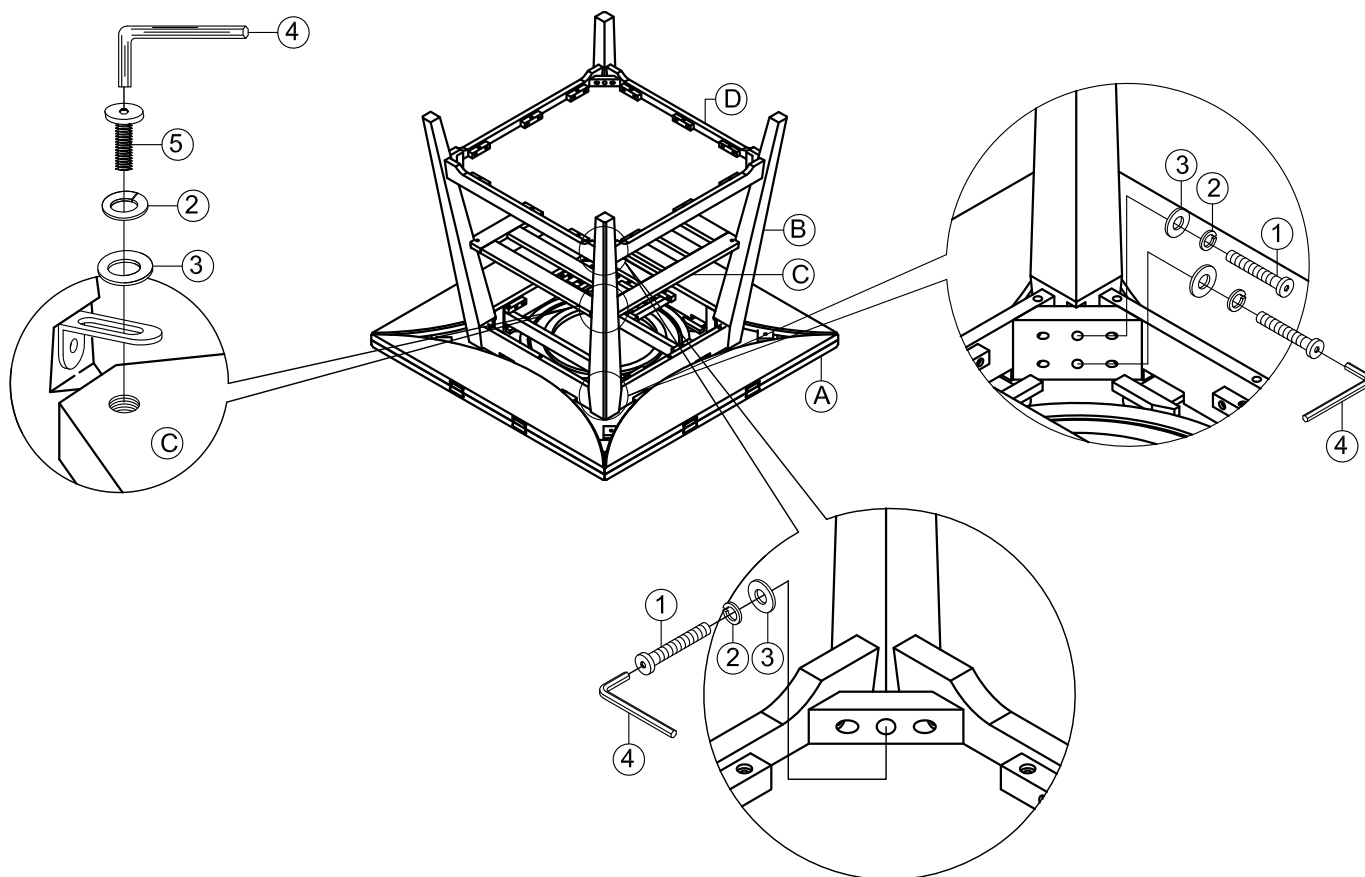


WINNERS ONLY®

ASSEMBLY INSTRUCTIONS

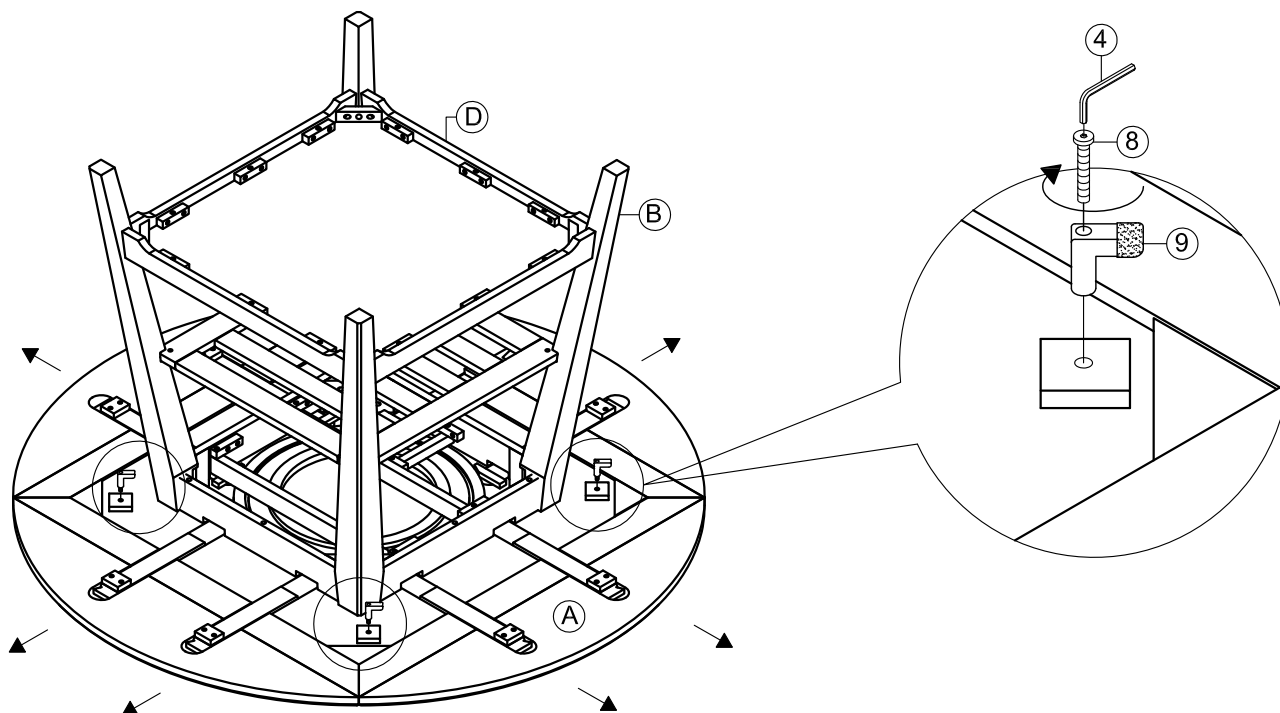
STEP 4:

Step 4 repeat Step 1, 2, 3. Attach L Bracket (6) to the Table Leg (B) using screw (7)



STEP 5:

Attach Leaf Holder (9) to the Table Top (A) using Short Bolt (8) and tighten with Allen Key (4).

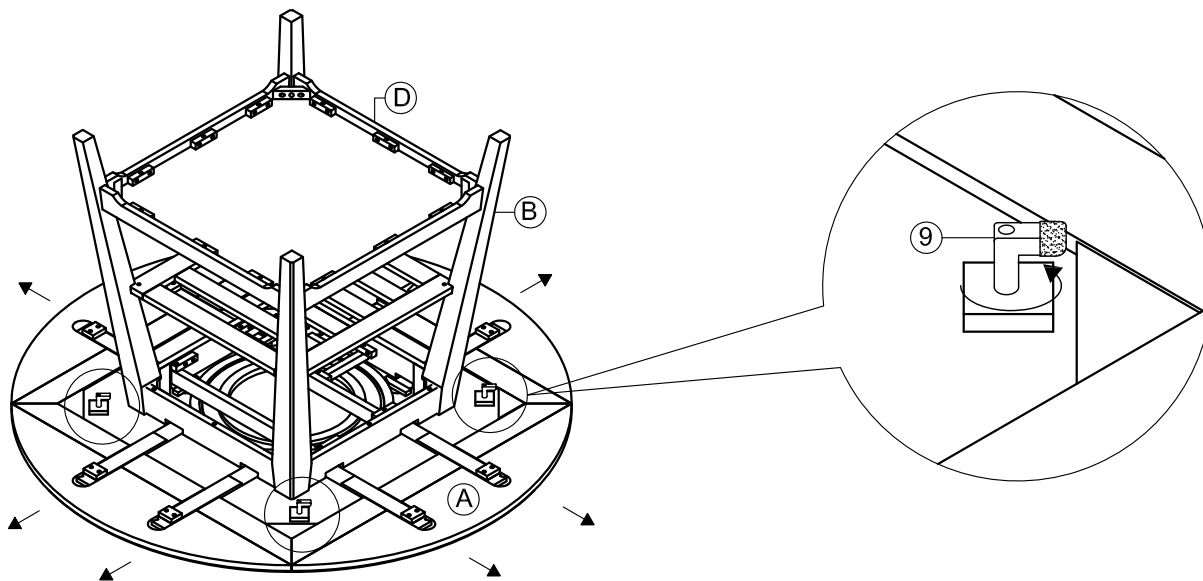


WINNERS ONLY®

ASSEMBLY INSTRUCTIONS

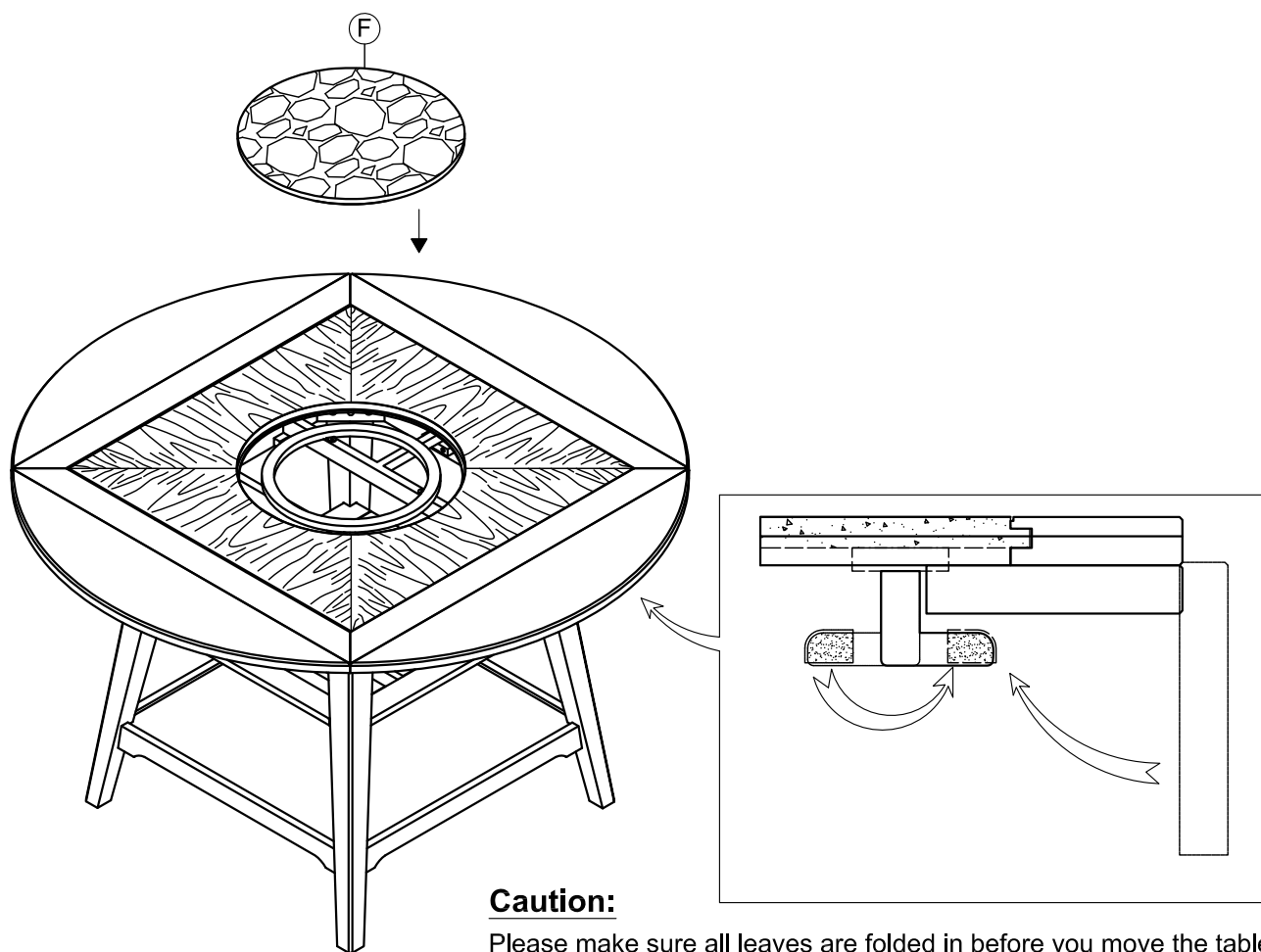
STEP 6:

Unlock Leaf holder (9) by turning counter clockwise,
Open table leaves and pull out tableWood Glides (E) in order to hold table leaves in place.



STEP 7:

Flip table to upright position with the help of another person, Place Lazy Susan (F) into position.



Caution:

Please make sure all leaves are folded in before you move the table.

Assembly is now completed.